

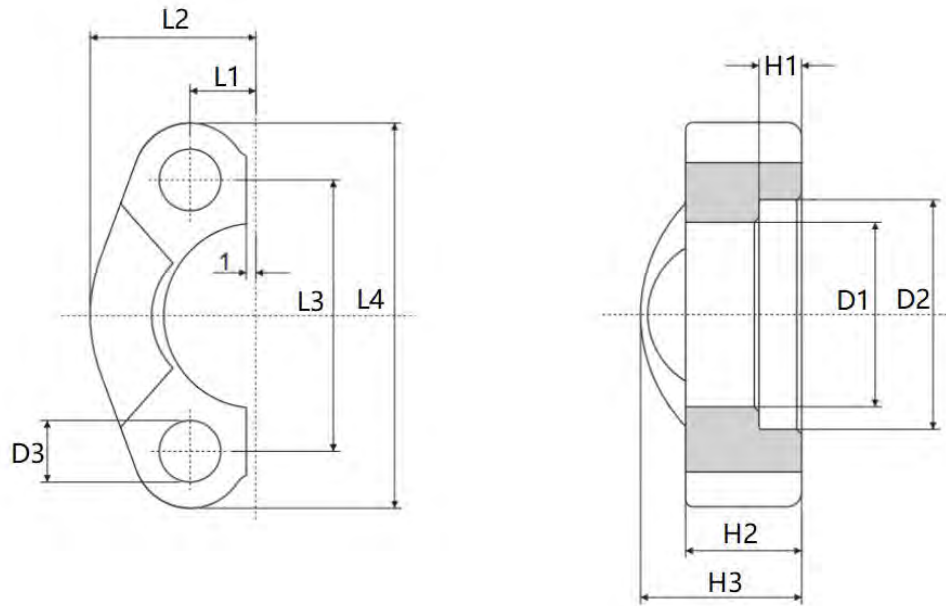
SAE-Flanges



Contents

SAE Flanges (ISO 6161, ISO 6162)	Series	Page
<u>Split Flange Halves</u>	FH Series	1
<u>Split Flange Halves-Flat Face</u>	HF Series	2
<u>Flange Clamp</u>	VF Series	3
<u>Flange Clamp-Flat Face</u>	FP Series	4
<u>Counter Flange Clamp</u>	VFG Series	5
<u>Socket Weld Flange</u>	AFS Series	6
<u>Socket Weld Counter Flange</u>	GFS Series	7
<u>90° Socket Weld Flange</u>	AFW Series	8
<u>Socket Weld Flange Coupling</u>	DFS Series	9
<u>BSPP Thread Flange</u>	AFSG Series	10
<u>BSPP Thread Counter Flange</u>	GFSG Series	11
<u>90° BSPP Thread Flange</u>	AFWG Series	12
<u>BSPP Thread Flange Coupling</u>	DFSG Series	13
<u>NPT Thread Flange</u>	AFSN Series	14
<u>NPT Thread CounterFlange</u>	GFSN Series	15
<u>90° NPT Thread Flange</u>	AFWN Series	16
<u>Butt Weld Flange</u>	AFST Series	17
<u>Butt Weld Counter Flange</u>	GFST Series	18
<u>90° Butt Weld Flange</u>	AFWT Series	19
<u>Butt Weld Flange Coupling</u>	DFST Series	20
<u>Flared Flange</u>	JFS Series	21
<u>Closed Flange</u>	AFC Series	22
<u>Closed Counter Flange</u>	GFC Series	23
<u>SAE Flange Weld Coupling</u>	ASF/BSF Series	24
<u>SAE 90° Flange Weld Coupling</u>	AWF Series	25
<u>SAE Flange Adaptor</u>	GSF Series	27
<u>SAE Flange with 24° Cone End</u>	AFM Series	28
<u>SAE 90° Flange with 24° Cone End</u>	AFMW Series	29
<u>SAE Tee Flange</u>	SFV Series	30
<u>Pump Flange Connectiong</u>	GF Series	31
<u>90° Pump Flange Connection</u>	WF Series	32
<u>Socket Weld Flange 500PSI</u>	AFCS/GCFS Series	33

Split Flange Halves



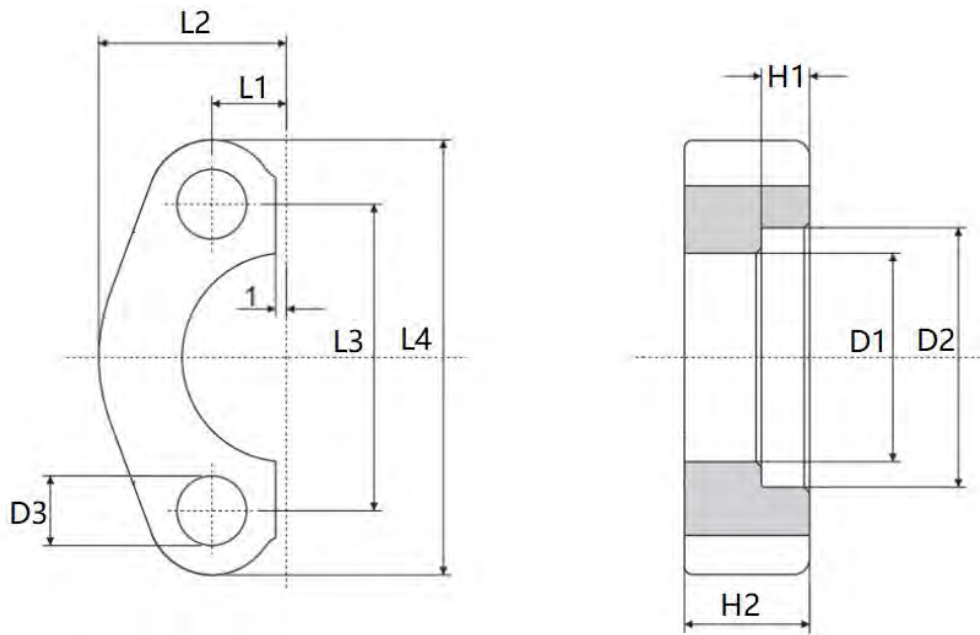
3000PSI

Type	Size Inch	Dimensions(mm)											Weight		Pressure Bar
		L1	L2	L3	L4	H1	H2	H3	D1	D2	D3	M	UNC	Kg	
FH301	1/2	8.75	23	38.1	54	6.2	13	19	31	24.5	8.5	M8	5/16	0.07	345
FH302	3/4	11.13	25.9	47.6	65	6.2	14.3	22	38.93	32.2	10.5	M10	3/8	0.1	345
FH303	1	13.08	29.2	52.4	70	7.5	16	24	45.25	38.8	10.5	M10	3/8	0.12	345
FH304	1 1/4	15.09	36.3	58.7	79	7.5	16	24	51.6	43.7	10.5	M10	—	0.18	276
FH304/U	1 1/4	15.09	36.3	58.7	79	7.5	16	24	51.6	43.7	11.8	—	7/16	0.18	276
FH304/12	1 1/4	15.09	36.3	58.7	79	7.5	16	24	51.6	43.7	12.5	M12	—	0.18	276
FH305	1 1/2	17.86	41	69.9	94	7.5	16	25	61.1	50.8	13.3	M12	1/2	0.23	207
FH306	2	21.44	48.2	77.8	102	9	16	26	72.25	62.8	13.3	M12	1/2	0.26	207
FH306/14	2	21.44	48.2	77.8	102	9	16	26	72.25	62.8	14.6	M14	—	0.26	207
FH307	2 1/2	25.4	54	88.9	114	9	19	38	84.95	74.95	13.3	M12	1/2	0.42	172
FH308	3	30.96	65.3	106	135	9	22	41	102.4	90.95	17	M16	5/8	0.68	138
FH309	3 1/2	34.92	69.5	121	152	10.7	22	28	115.1	102.4	17	M16	5/8	0.62	34
FH310	4	38.88	76	130	162	10.7	25	35	127.8	115.1	17	M16	5/8	0.85	34
FH311	5	46.04	90	152	184	10.7	28	41	153.2	140.5	17	M16	5/8	1.2	34

6000PSI

Type	Size Inch	Dimensions(mm)											Bolt		Weigh t Kg	Pressure Bar
		L1	L2	L3	L4	H1	H2	H3	D1	D2	D3	M	UNC			
FH601	1/2	9.12	23.6	40.5	56	7.2	16	22	32.55	24.65	8.5	M8	5/16	0.09	414	
FH602	3/4	11.91	30	50.8	71	8.25	19	28	42.1	32.5	10.5	M10	3/8	0.17	414	
FH603	1	13.89	34.8	57.2	81	9	24	33	48.4	38.9	12.6	M12	7/16	0.26	414	
FH604/12	1 1/4	15.88	38.6	66.7	95	9.8	27	38	54.8	44.5	13.3	M12	1/2	0.4	414	
FH604	1 1/4	15.88	38.6	66.7	95	9.8	27	38	54.8	44.5	14.6	M14	—	0.4	414	
FH605	1 1/2	18.26	47.5	79.4	113	12	30	43	64.3	51.6	17	M16	5/8	0.68	414	
FH606	2	22.23	56.9	96.8	133	12	37	52	80.2	67.6	21	M20	3/4	1.05	414	
FH607	2 1/2	29.4	75	124	180	20.5	45	45	108.9	90	25	M24	—	2.1	414	
FH608	3	35.8	99	152	215	25.5	55	55	132.5	115	31.5	M30	—	4.25	414	

Split Flange Halves-Flat Face



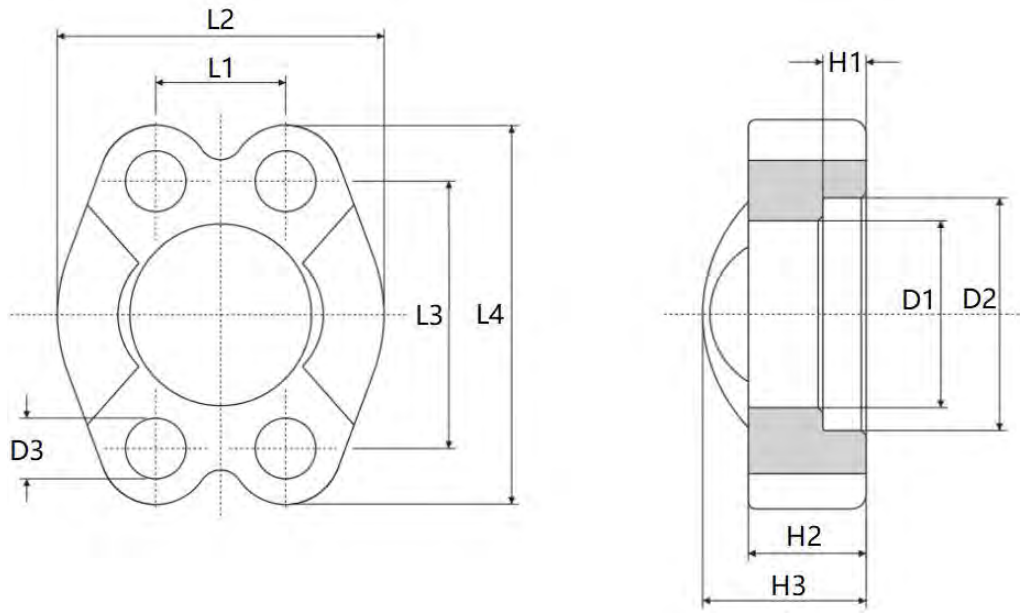
3000PSI

Type	Size	Dimensions(mm)									Bolt		Weight Kg	Pressure Bar
	Inch	L1	L2	L3	L4	H1	H2	D1	D2	D3	M	UNC		
HF301	1/2	8.75	23	38.1	54	6.2	13	31	24.5	8.5	M8	5/16	0.06	345
HF302	3/4	11.13	25.9	47.6	65	6.2	14	38.9	32.15	10.5	M10	3/8	0.09	345
HF303	1	13.08	29.2	52.4	70	7.5	16	45.25	38.8	10.5	M10	3/9	0.11	345
HF304	1 1/4	15.09	36.3	58.7	79	7.5	16	51.6	43.7	10.5	M10	—	0.16	276
HF305	1 1/2	17.86	41	69.9	94	7.5	16	61.1	50.8	13.3	M12	1/2	0.22	207
HF306	2 1/2	21.44	48.2	77.8	102	9	16	72.25	62.75	13.3	M12	1/2	0.25	207

6000PSI

Type	Size	Dimensions(mm)									Bolt		Weight Kg	Pressure Bar
	Inch	L1	L2	L3	L4	H1	H2	D1	D2	D3	M	UNC		
HF601	1/2	9.12	23.6	40.49	56	7.20	16	32.55	24.65	8.5	M8	5/16	0.08	414
HF602	3/4	11.91	30	50.80	71	8.25	19	42.1	32.50	10.5	M10	3/8	0.16	414
HF603	1	13.89	34.8	57.17	81	9	24	48.4	38.90	12.6	M12	7/16	0.25	414
HF604	1 1/4	15.88	38.6	66.68	95	9.80	27	54.8	44.5	14.6	M14	—	0.38	414
HF605	1 1/2	18.26	47.5	79.38	113	12	30	64.3	51.6	17	M16	5/8	0.65	414
HF606	2	22.23	56.9	96.82	133	12	37	80.2	67.6	21	M20	3/4	1	414

Flange Clamp



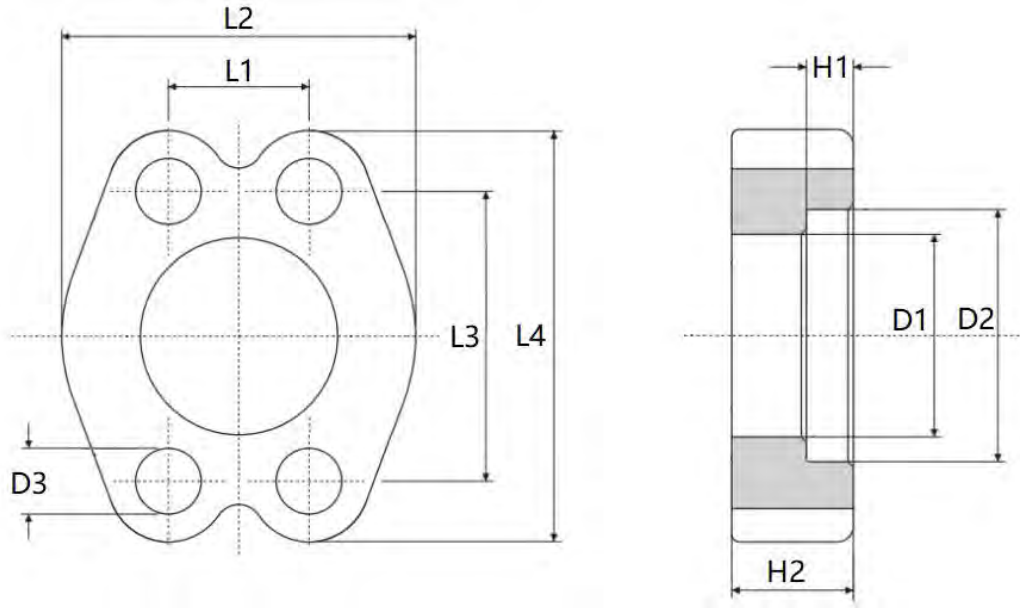
3000PSI

Type	Size Inch	Dimensions(mm)										Bolt		Weight Kg	Pressure Bar
		L1	L2	L3	L4	H1	H2	H3	D1	D2	D3	M	UNC		
VF301	1/2	17.5	46	38.1	54	6.2	13	19	31	24.5	8.5	M8	5/16	0.15	345
VF302	3/4	22.26	51.8	47.6	65	6.2	14.3	22	38.9	32.15	10.5	M10	3/8	0.21	345
VF303	1	26.16	58.4	52.4	70	7.5	16	24	45.25	38.6	10.5	M10	3/8	0.25	345
VF304	1 1/4	30.18	72.6	58.7	79	7.5	16	24	51.6	43.7	10.5	M10	—	0.36	276
VF304/U	1 1/4	30.18	72.6	58.7	79	7.5	16	24	51.6	43.7	11.8	—	7/16	0.36	276
VF304/12	1 1/4	30.18	72.6	58.7	79	7.5	16	24	51.6	43.7	12.5	M12	—	0.36	276
VF305	1 1/2	35.72	82.2	69.9	94	7.5	16	25	61.1	50.8	13.3	M12	1/2	0.48	207
VF306	2	42.88	96.4	77.8	102	9	16	26	72.25	62.75	13.3	M12	1/2	0.52	207
VF306/14	2	42.88	96.4	77.8	102	9	16	26	72.25	62.75	14.6	M14	—	0.52	207
VF307	2 1/2	50.8	108	88.9	114	9	19	38	84.95	74.95	13.3	M12	1/2	0.85	172
VF308	3	61.92	131	106	135	9	22	41	102.4	90.95	17	M16	5/8	1.38	138
VF309	3 1/2	69.84	139	121	152	10.7	22	28	115.1	102.4	17	M16	5/8	1.5	34
VF310	4	77.76	152	130	162	10.7	25	35	127.8	115.1	17	M16	5/8	1.7	34
VF311	5	92.08	180	152	184	10.7	28	41	153.2	140.5	17	M16	5/8	2.5	34

6000PSI

Type	Size Inch	Dimensions(mm)										Bolt		Weight Kg	Pressure Bar
		L1	L2	L3	L4	H1	H2	H3	D1	D2	D3	M	UNC		
VF601	1/2	18.24	47.2	40.5	56	7.2	16	22	32.55	24.65	8.5	M8	5/16	0.19	414
VF602	3/4	23.8	60	50.8	71	8.25	19	28	42.1	32.5	10.5	M10	3/8	0.35	414
VF603	1	27.78	69.6	57.2	81	9	24	33	48.4	38.9	12.6	M12	7/16	0.54	414
VF604/12	1 1/4	31.76	77.2	66.7	95	9.8	27	38	54.8	44.5	13.3	M12	1/2	0.8	414
VF604	1 1/4	31.76	77.2	66.7	95	9.8	27	38	54.8	44.5	14.6	M14	—	0.8	414
VF605	1 1/2	36.52	95	79.4	113	12	30	43	64.3	51.6	17	M16	5/8	1.4	414
VF606	2	44.46	114	96.8	133	12	37	52	80.2	67.6	21	M20	3/4	2.1	414
VF607	2 1/2	58.8	150	124	180	20.5	45	45	108.9	90	25	M24	—	4.3	414
VF608	3	71.6	198	152	215	25.5	55	55	132.5	115	31.5	M30	—	8.6	414

Flange Clamp-Flat Face



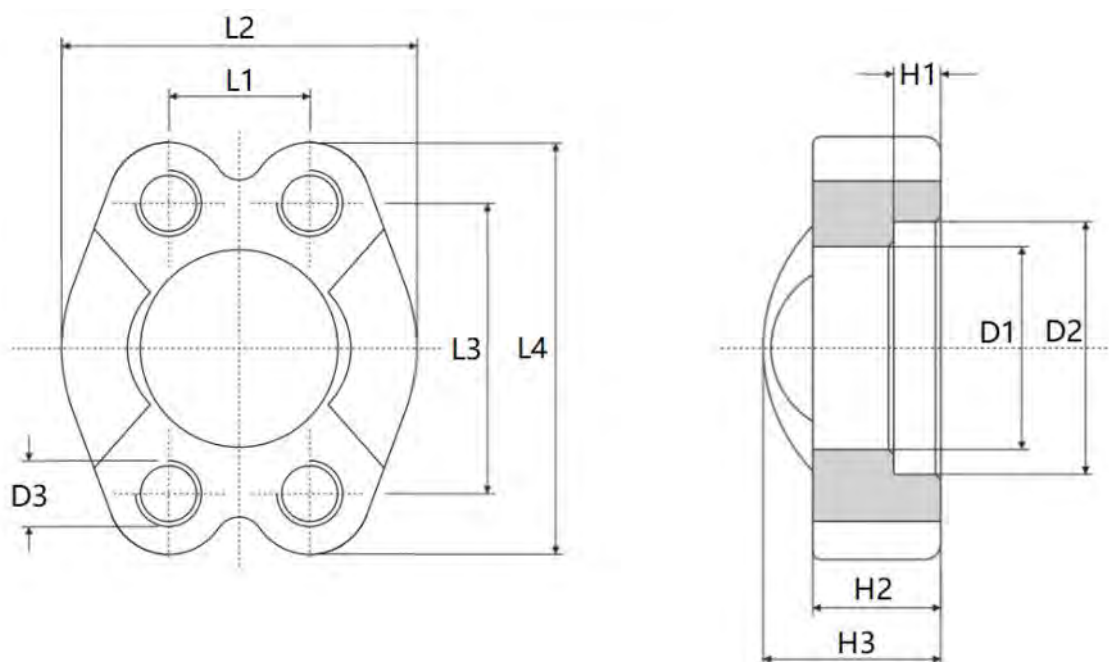
3000PSI

Type	Size Inch	Dimensions(mm)									Bolt		Weight Kg	Pressure Bar
		L1	L2	L3	L4	H1	H2	D1	D2	D3	M	UNC		
FP301	1/2	17.5	46	38.1	54	6.2	13	31	24.5	8.5	M8	5/16	0.15	345
FP302	3/4	22.26	51.8	47.6	65	6.2	14.3	38.9	32.15	10.5	M10	3/8	0.21	345
FP303	1	26.16	58.4	52.4	70	7.5	16	45.25	38.6	10.5	M10	3/8	0.25	345
FP304	1 1/4	30.18	72.6	58.7	79	7.5	16	51.6	43.7	10.5	M10	—	0.36	276
FP304/U	1 1/4	30.18	72.6	58.7	79	7.5	16	51.6	43.7	11.8	—	7/16	0.36	276
FP304/12	1 1/4	30.18	72.6	58.7	79	7.5	16	51.6	43.7	12.5	M12	—	0.36	276
FP305	1 1/2	35.72	82.2	69.9	94	7.5	16	61.1	50.8	13.3	M12	1/2	0.48	207
FP306	2	42.88	96.4	77.8	102	9	16	72.25	62.75	13.3	M12	1/2	0.52	207
FP306/14	2	42.88	96.4	77.8	102	9	16	72.25	62.75	14.6	M14	—	0.52	207
FP307	2 1/2	50.8	108	88.9	114	9	19	84.95	74.95	13.3	M12	1/2	0.85	172
FP308	3	61.92	131	106	135	9	22	102.4	90.95	17	M16	5/8	1.38	138
FP309	3 1/2	69.84	139	121	152	10.7	22	115.1	102.4	17	M16	5/8	1.5	34
FP310	4	77.76	152	130	162	10.7	25	127.8	115.1	17	M16	5/8	1.7	34
FP311	5	92.08	180	152	184	10.7	28	153.2	140.5	17	M16	5/8	2.5	34

6000PSI

Type	Size Inch	Dimensions(mm)									Bolt		Weight Kg	Pressure Bar
		L1	L2	L3	L4	H1	H2	D1	D2	D3	M	UNC		
FP601	1/2	18.24	47.2	40.5	56	7.2	16	32.55	24.65	8.5	M8	5/16	0.19	414
FP602	3/4	23.8	60	50.8	71	8.25	19	42.1	32.5	10.5	M10	3/8	0.35	414
FP603	1	27.78	69.6	57.2	81	9	24	48.4	38.9	12.6	M12	7/16	0.54	414
FP604/12	1 1/4	31.76	77.2	66.7	95	9.8	27	54.8	44.5	13.3	M12	1/2	0.8	414
FP604	1 1/4	31.76	77.2	66.7	95	9.8	27	54.8	44.5	14.6	M14	—	0.8	414
FP605	1 1/2	36.52	95	79.4	113	12	30	64.3	51.6	17	M16	5/8	1.4	414
FP606	2	44.46	114	96.8	133	12	37	80.2	67.6	21	M20	3/4	2.1	414
FP607	2 1/2	58.8	150	124	180	20.5	45	108.9	90	25	M24	—	4.3	414
FP608	3	71.6	198	152	215	25.5	55	132.5	115	31.5	M30	—	8.6	414

Counter Flange Clamp



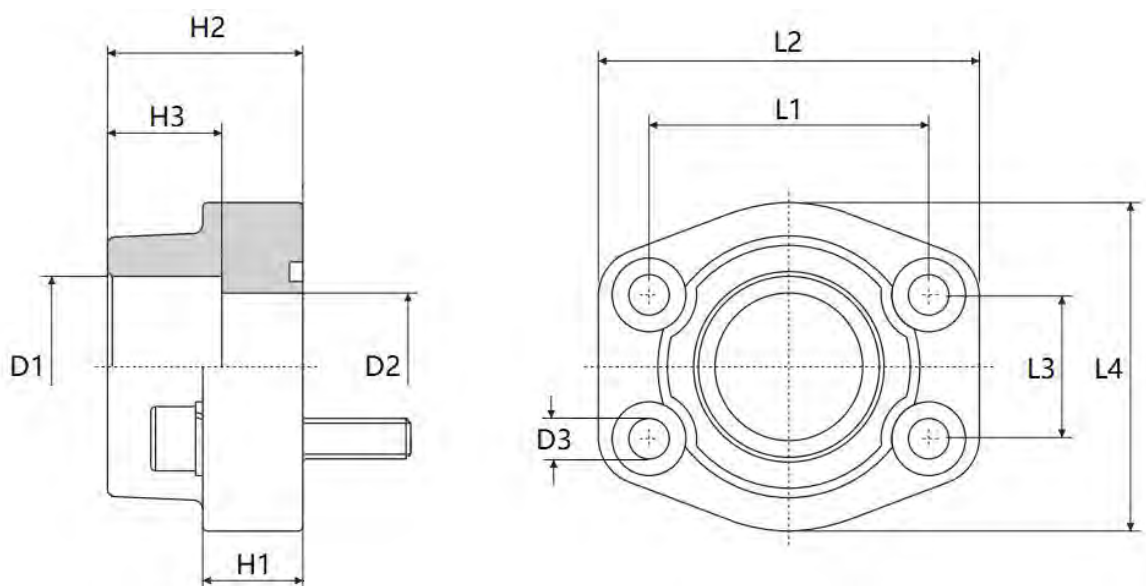
3000PSI

Type	Size Inch	Dimensions(mm)									Bolt		Weight Kg	Pressure Bar
		L1	L2	L3	L4	H1	H2	H3	D1	D2	M	UNC		
VFG301	1/2	17.5	46	38.1	54	6.2	13	19	31	24.5	M8	5/16	0.15	345
VFG302	3/4	22.26	51.8	47.6	65	6.2	14.3	22	38.9	32.15	M10	3/8	0.21	345
VFG303	1	26.16	58.4	52.4	70	7.5	16	24	45.25	38.6	M10	3/8	0.25	345
VFG304	1 1/4	30.18	72.6	58.7	79	7.5	16	24	51.6	43.7	M10	—	0.36	276
VFG304/12	1 1/4	30.18	72.6	58.7	79	7.5	16	24	51.6	43.7	M12	7/16	0.36	276
VFG305	1 1/2	35.72	82.2	69.9	94	7.5	16	25	61.1	50.8	M12	1/2	0.48	207
VFG306	2	42.88	96.4	77.8	102	9	16	26	72.25	62.75	M12	1/2	0.52	207
VFG307	2 1/2	50.8	108	88.9	114	9	19	38	84.95	74.95	M12	1/2	0.85	172
VFG308	3	61.92	131	106	135	9	22	41	102.4	90.95	M16	5/8	1.38	138
VFG309	3 1/2	69.84	139	121	152	10.7	22	28	115.1	102.4	M16	5/8	1.5	34
VFG310	4	77.76	152	130	162	10.7	25	35	127.8	115.1	M16	5/8	1.7	34
VFG311	5	92.08	180	152	184	10.7	28	41	153.2	140.5	M16	5/8	2.5	34

6000PSI

Type	Size Inch	Dimensions(mm)									Bolt		Weight Kg	Pressure Bar
		L1	L2	L3	L4	H1	H2	H3	D1	D2	M	UNC		
VFG601	1/2	18.24	47.2	40.5	56	7.2	16	22	32.55	24.65	M8	5/16	0.19	414
VFG602	3/4	23.8	60	50.8	71	8.25	19	28	42.1	32.5	M10	3/8	0.35	414
VFG603	1	27.78	69.6	57.2	81	9	24	33	48.4	38.9	M12	7/16	0.54	414
VFG604/12	1 1/4	31.76	77.2	66.7	95	9.8	27	38	54.8	44.5	M12	1/2	0.8	414
VFG604	1 1/4	31.76	77.2	66.7	95	9.8	27	38	54.8	44.5	M14	—	0.8	414
VFG605	1 1/2	36.52	95	79.4	113	12	30	43	64.3	51.6	M16	5/8	1.4	414
VFG606	2	44.46	114	96.8	133	12	37	52	80.2	67.6	M20	3/4	2.1	414

Socket Weld Flange



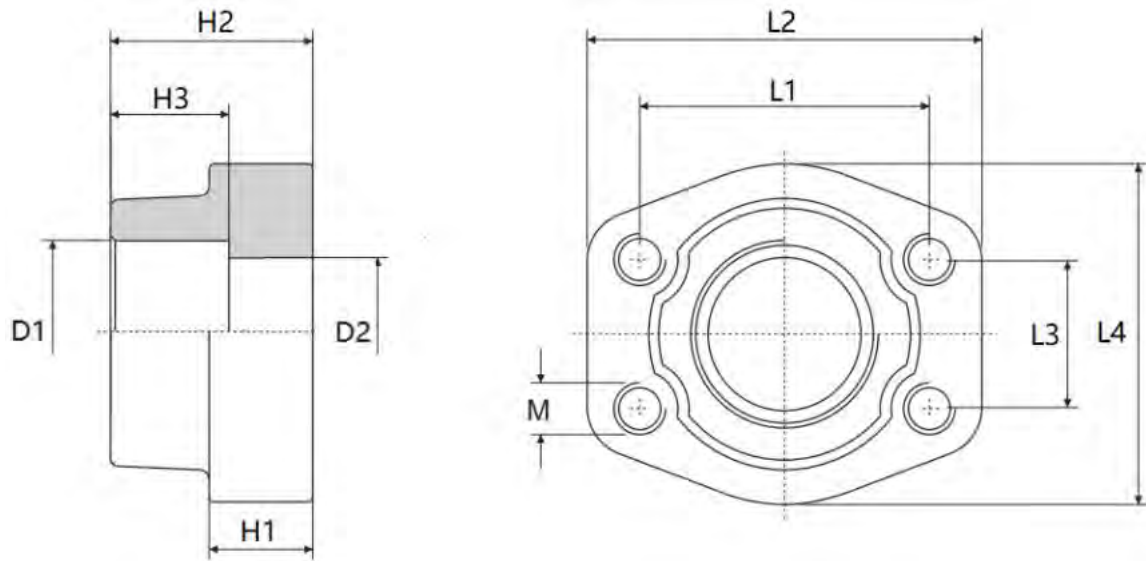
3000PSI

Type	Size Inch	Dimensions(mm)									Accessories		Weight KG	Pressure Bar	
		D1	D2	D3	L1	L2	L3	L4	H1	H2	H3	Bolt			O-Ring
AFS 301S	1/2	21.6	13	9	38.10	54	17.50	46	16	36	19	M8×30	18.66×3.53	0.25	345
AFS 302S	3/4	27.2	19	11	47.63	65	22.26	50	18	36	19	M10×35	25×3.53	0.39	345
AFS 302S/25	3/4	25.3	19	11	47.63	65	22.26	50	18	36	19	M10×35	25×3.53	0.39	345
AFS 303S	1	34	25	11	52.37	70	26.16	55	18	38	19	M10×35	32.92×3.53	0.46	345
AFS 304S	1 1/4	42.8	32	11.5	58.72	79	30.18	68	21	41	22	M10×40	37.70×3.53	0.66	276
AFS 304S/38	1 1/4	38.3	32	11.5	58.72	79	30.18	68	21	41	22	M10×40	37.70×3.53	0.66	276
AFS 305S	1 1/2	48.6	38	13.5	69.85	93	35.72	78	25	45	24	M12×45	47.22×3.53	1.05	207
AFS 305S/50	1 1/2	50.5	38	13.5	69.85	93	35.72	78	25	45	24	M12×45	47.22×3.53	1.05	207
AFS 306S	2	61	51	13.5	77.77	102	42.88	90	25	45	26	M12×45	56.75×3.53	1.19	207
AFS 307S	2 1/2	76	63	13.5	88.90	114	50.80	105	25	50	30	M12×45	69.45×3.53	1.40	172
AFS 308S	3	90.5	73	17	106.36	134	61.92	124	27	50	34	M16×50	85.32×3.53	2.15	138
AFS 309S	3 1/2	103	89	17	120.65	152	69.84	136	27	48	34	M16×50	98.02×3.53	2.40	34
AFS 310S	4	115.6	99	17	130.18	162	77.76	146	27	48	34	M16×50	110.72×3.53	2.85	34

6000PSI

Type	Size Inch	Dimensions(mm)									Accessories		Weight KG	Pressure Bar	
		D1	D2	D3	L1	L2	L3	L4	H1	H2	H3	Bolt			O-Ring
AFS 601S	1/2	21.60	13	9	40.49	54	18.24	46	16	36	19	M8×30	18.66×3.53	0.26	414
AFS 602S	3/4	27.20	19	11	50.80	71	23.80	55	21	36	22	M10×35	25×3.53	0.50	414
AFS 603S	1	34.00	25	13	57.17	81	27.78	65	25	42	22	M12×45	32.92×3.53	0.76	414
AFS 604S	1 1/4	42.80	32	15	66.68	95	31.76	78	27	45	25	M14×50	37.70×3.53	1.20	414
AFS 604S/38	1 1/4	38.30	32	15	66.68	95	31.76	78	27	45	25	M14×50	37.70×3.53	1.20	414
AFS 605S	1 1/2	48.60	38	17	79.38	112	36.52	94	30	50	28	M16×55	47.22×3.53	1.65	414
AFS 606S	2	61.00	51	21	96.82	134	44.46	114	37	65	32	M20×70	56.75×3.53	2.45	414

Socket Weld Counter Flange



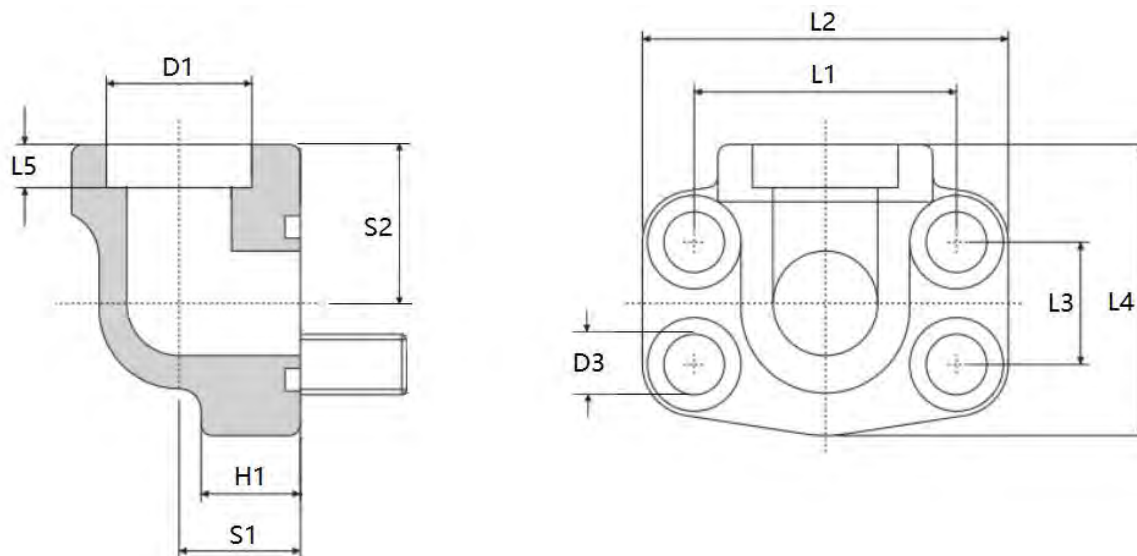
3000PSI

Type	Size Inch	Dimensions(mm)										Weight KG	Pressure Bar
		D1	D2	L1	L2	L3	L4	H1	H2	H3	M		
GFS 301S	1/2	21.6	13	38.10	54	17.50	46	16	36	19	M8	0.25	345
GFS 302S	3/4	27.2	19	47.63	65	22.26	50	18	36	19	M10	0.39	345
GFS 302S/25	3/4	25.3	19	47.63	65	22.26	50	18	36	19	M10	0.39	345
GFS 303S	1	34	25	52.37	70	26.16	55	18	38	19	M10	0.46	345
GFS 304S	1 1/4	42.8	32	58.72	79	30.18	68	21	41	22	M10	0.66	276
GFS 304S/38	1 1/4	38.3	32	58.72	79	30.18	68	21	41	22	M10	0.66	276
GFS 305S	1 1/2	48.6	38	69.85	93	35.72	78	25	45	24	M12	1.05	207
GFS 305S/50	2	50.5	38	69.85	93	35.72	78	25	45	24	M12	1.05	207
GFS 306S	2	61	51	77.77	102	42.88	90	25	45	26	M12	1.19	207
GFS 307S	2 1/2	76.6	63	88.90	114	50.80	105	25	50	30	M12	1.40	172
GFS 308S	3	90.5	73	106.36	134	61.92	124	27	50	34	M16	2.15	138
GFS 309S	3 1/2	103	89	120.65	152	69.84	136	27	48	34	M16	2.40	34
GFS 310S	4	115.6	99	130.18	162	77.76	146	27	48	34	M16	2.85	34

6000PSI

Type	Size Inch	Dimensions(mm)										Weight KG	Pressure Bar
		D1	D2	L1	L2	L3	L4	H1	H2	H3	M		
GFS 601S	1/2	21.60	13	40.49	54	18.24	46	16	36	19	M8	0.26	414
GFS 602S	3/4	27.20	19	50.80	71	23.80	55	21	36	22	M10	0.50	414
GFS 603S	1	34.00	25	57.17	81	27.78	65	25	42	22	M12	0.76	414
GFS 604S	1 1/4	42.80	32	66.68	95	31.76	78	27	45	25	M14	1.20	414
GFS 604S/38	1 1/4	38.30	32	66.68	95	31.76	78	27	45	25	M14	1.20	414
GFS 605S	1 1/2	48.60	38	79.38	112	36.52	94	30	50	28	M16	1.65	414
GFS 606S	2	61.00	51	96.82	134	44.46	114	37	65	32	M20	2.45	414

Socket-welding 90° Flange



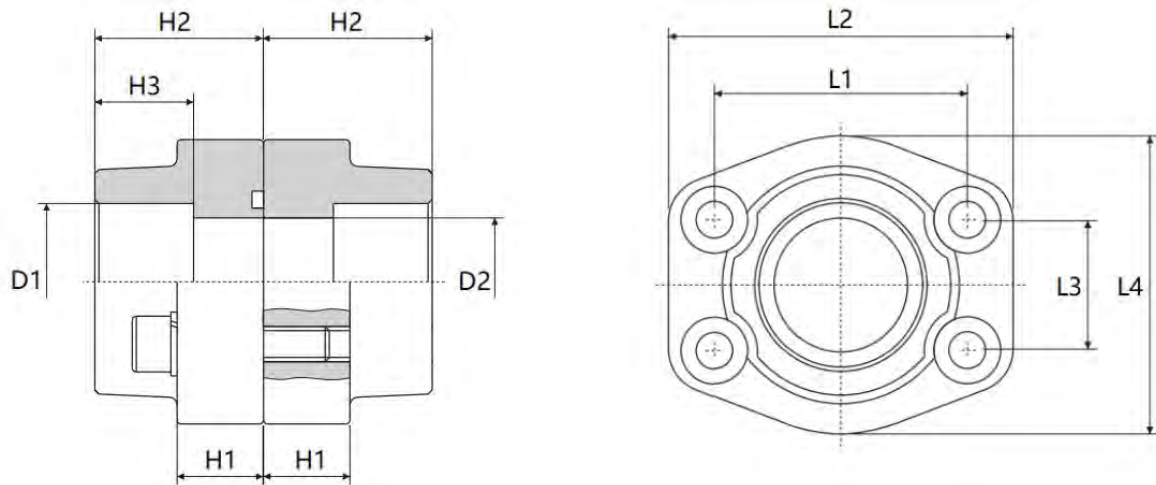
3000PSI

Type	Size Inch	Dimensions(mm)											Accessories		Weight Kg	Pressure Bar
		D1	D2	D3	L1	L2	L3	L4	L5	H	S1	S2	Bolt	O-Ring		
AFW301S	1/2	21.6	13	9	38.1	54	17.5	60	10	16	20	37	M8×30	18.66×3.53	0.4	345
AFW302S	3/4	27.2	19	11	47.63	65	22.26	63	10	18	24	38	M10×35	25.00×3.53	0.6	
AFW303S	1	34	25	11	52.37	70	26.16	70	12	19	28	43	M10×35	32.92×3.53	0.8	345
AFW304S	1 1/4	42.8	32	11.5	58.72	79	30.18	85	14	21	34	51	M10×40	37.70×3.53	1.2	
AFW305S	1 1/2	48.6	38	13.5	69.85	93	35.72	95	16	25	38	55	M12×45	47.22×3.53	1.65	207
AFW306S	2	61	51	13.5	77.77	102	42.88	110	18	25	42	65	M12×45	56.75×3.53	2	

6000PSI

Type	Size Inch	Dimensions(mm)											Accessories		Weight Kg	Pressure Bar
		D1	D2	D3	L1	L2	L3	L4	L5	H	S1	S2	Bolt	O-Ring		
AFW601S	1/2	21.6	13	9	40.49	54	18.24	60	10	16	20	37	M8×30	18.66×3.53	0.5	414
AFW602S	3/4	27.2	19	11	50.8	71	23.8	70	12	19	28	43	M10×35	25.00×3.53		
AFW603S	1	34	25	13	57.17	79	27.78	85	14	21	34	51	M12×40	32.92×3.53	1.5	414
AFW604S	1 1/4	42.8	32	15	66.68	93	31.76	95	16	25	38	56	M14×45	37.70×3.53		
AFW605S	1 1/2	48.6	38	17	79.38	112	36.52	100	18	25	42	65	M16×45	47.22×3.53	2.8	414
AFW606S	2	61	51	21	96.82	134	44.46	150	18	29	60	92	M20×55	56.75×3.53		

Socket Weld Flange Coupling



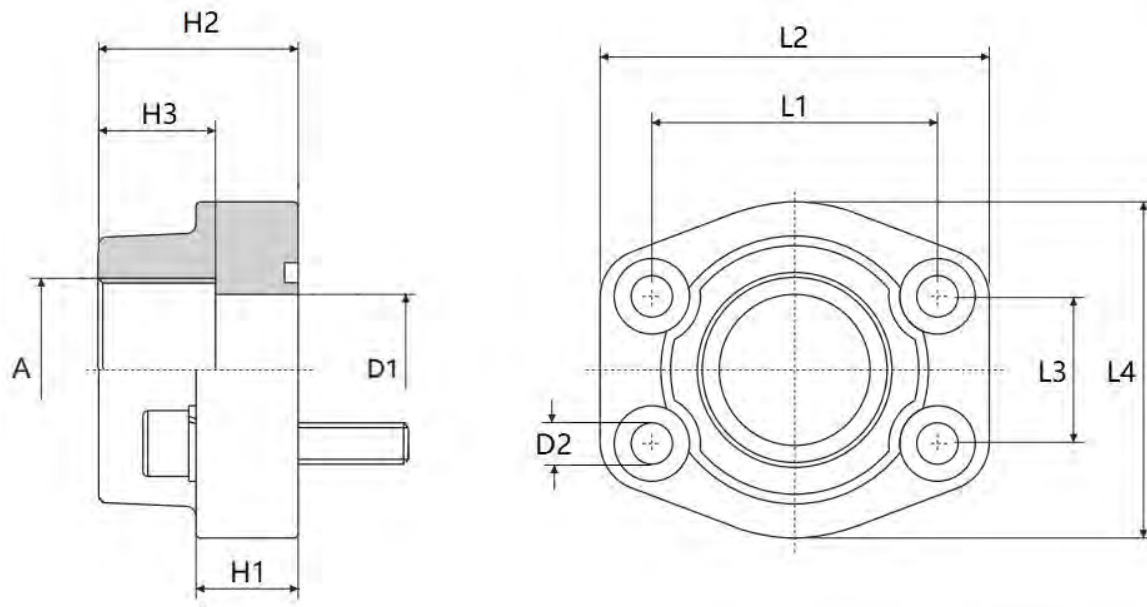
3000PSI

Type	Size Inch	Dimensions(mm)									Accessories		Weight KG	Pressure Bar
		D1	D2	L1	L2	L3	L4	H1	H2	H3	Bolt	O-Ring		
DFS 301S	1/2	21.6	13	38.10	54	17.50	46	16	36	19	M8×30	18.66×3.53	0.5	345
DFS 302S	3/4	27.2	19	47.63	65	22.26	50	18	36	19	M10×35	25×3.53	0.78	345
DFS 302S/25	3/4	25.3	19	47.63	65	22.26	50	18	36	19	M10×35	25×3.53	0.78	345
DFS 303S	1	34	25	52.37	70	26.16	55	18	38	19	M10×35	32.92×3.53	0.92	345
DFS 304S	1 1/4	42.8	32	58.72	79	30.18	68	21	41	22	M10×40	37.70×3.53	1.32	276
DFS 304S/38	1 1/4	38.3	32	58.72	79	30.18	68	21	41	22	M10×40	37.70×3.53	1.32	276
DFS 305S	1 1/2	48.6	38	69.85	93	35.72	78	25	45	24	M12×45	47.22×3.53	2.1	207
DFS 305S/50	1 1/2	50.5	38	69.85	93	35.72	78	25	45	24	M12×45	47.22×3.53	2.1	207
DFS 306S	2	61	51	77.77	102	42.88	90	25	45	26	M12×45	56.75×3.53	2.4	207
DFS 307S	2 1/2	76	63	88.90	114	50.80	105	25	50	30	M12×45	69.45×3.53	2.8	172
DFS 308S	3	90.5	73	106.36	134	61.92	124	27	50	34	M16×50	85.32×3.53	4.3	138
DFS 309S	3 1/2	103	89	120.65	152	69.84	136	27	48	34	M16×50	98.02×3.53	4.8	34
DFS 310S	4	115.6	99	130.18	162	77.76	146	27	48	34	M16×50	110.72×3.53	5.8	34

6000PSI

Type	Size Inch	Dimensions(mm)									Accessories		Weight KG	Pressure Bar
		D1	D2	L1	L2	L3	L4	H1	H2	H3	Bolt	O-Ring		
DFS 601S	1/2	21.60	13	40.49	54	18.24	46	16	36	19	M8×30	18.66×3.53	0.52	414
DFS 602S	3/4	27.20	19	50.80	71	23.80	55	21	36	22	M10×35	25×3.53	1	414
DFS 603S	1	34.00	25	57.17	81	27.78	65	25	42	22	M12×45	32.92×3.53	1.52	414
DFS 604S	1 1/4	42.80	32	66.68	95	31.76	78	27	45	25	M14×50	37.70×3.53	2.4	414
DFS 604S/38	1 1/4	38.30	32	66.68	95	31.76	78	27	45	25	M14×50	37.70×3.53	2.4	414
DFS 605S	1 1/2	48.60	38	79.38	112	36.52	94	30	50	28	M16×55	47.22×3.53	3.3	414
DFS 606S	2	61.00	51	96.82	134	44.46	114	37	65	32	M20×70	56.75×3.53	4.9	414

BSPP Thread Flange



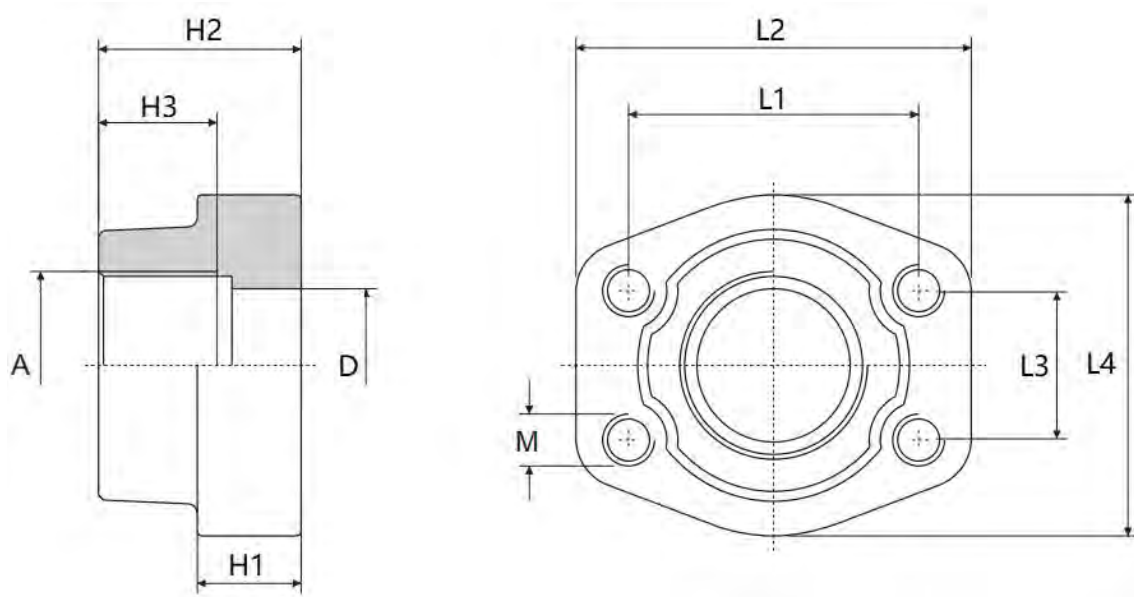
3000PSI

Type	Size Inch	Dimensions(mm)									Accessories		Weight Kg	Pressure Bar	
		A	D1	D2	L1	L2	L3	L4	H1	H2	H3	Bolt			O-Ring
AFS301G	1/2	G1/2	13	9	38.1	54	17.5	46	16	36	19	M8×30	18.66×3.53	0.25	345
AFS302G	3/4	G3/4	19	11	47.63	65	22.26	50	18	36	19	M10×35	25.00×3.53	0.39	345
AFS303G	1	G1	25	11	52.37	70	26.16	55	18	38	19	M10×35	32.92×3.53	0.46	345
AFS304G	1 1/4	G1 1/4	32	11.5	58.72	79	30.18	68	21	41	22	M10×40	37.70×3.53	0.66	276
AFS305G	1 1/2	G1 1/2	38	13.5	69.85	93	35.72	78	25	45	24	M12×45	47.22×3.53	1.05	207
AFS306G	2	G2	51	13.5	77.77	102	42.88	90	25	45	26	M12×45	56.75×3.53	1.19	207
AFS307G	2 1/2	G2 1/2	63	13.5	88.9	114	50.8	105	25	50	30	M12×45	69.45×3.53	1.4	172
AFS308G	3	G3	73	17	106.38	134	61.92	124	27	50	34	M16×50	85.32×3.53	2.15	138

6000PSI

Type	Size Inch	Dimensions(mm)									Accessories		Weight Kg	Pressure Bar	
		A	D1	D2	L1	L2	L3	L4	H1	H2	H3	Bolt			O-Ring
AFS601G	1/2	G1/2	13	9	40.49	54	18.24	46	16	36	19	M8*30	18.66×3.53	0.26	414
AFS602G	3/4	G3/4	19	11	50.8	71	23.8	55	21	36	22	M10*35	25.00×3.53	0.5	414
AFS603G	1	G1	25	13	57.17	81	27.78	65	25	42	22	M12*50	32.92×3.53	0.76	414
AFS604G	1 1/4	G1 1/4	32	15	66.68	95	31.78	78	27	45	25	M14*50	37.70×3.53	1.2	414
AFS605G	1 1/2	G1 1/2	38	17	79.38	112	36.52	94	30	50	28	M16*55	47.22×3.53	1.65	414
AFS606G	2	G2	51	21	96.82	134	44.46	114	37	65	32	M20*70	56.75×3.53	2.45	414

BSPP Thread Counter Flange



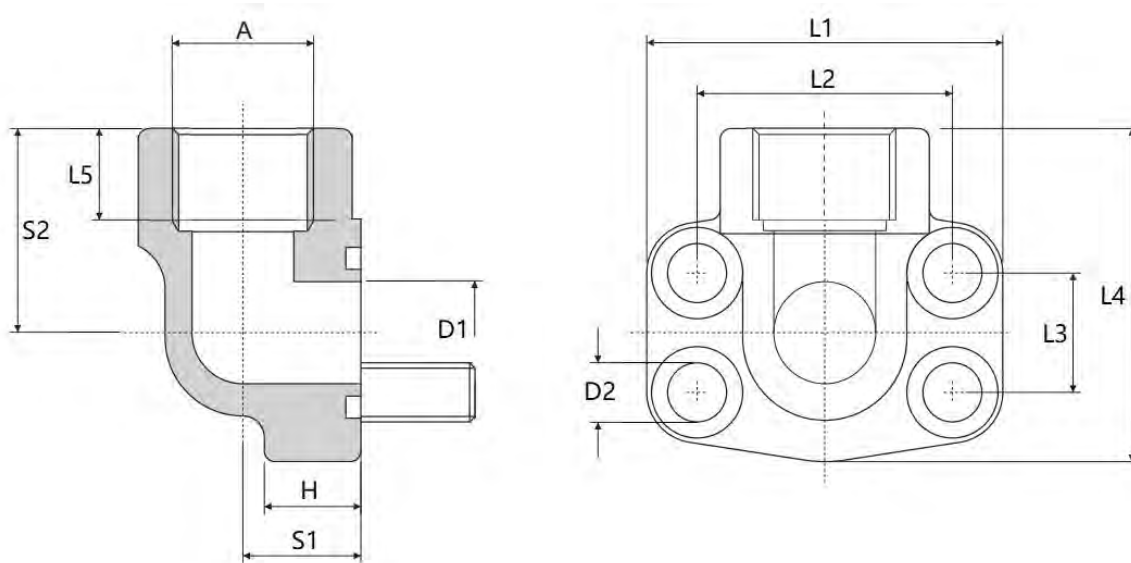
3000PSI

Type	Size Inch	Dimensions(mm)										Weight Kg	Pressure Bar
		A	D	L1	L2	L3	L4	H1	H2	H3	M		
GFS301G	1/2	G1/2	13	38.1	54	17.5	46	16	36	19	M8	0.25	345
GFS302G	3/4	G3/4	19	47.6	65	22.3	50	18	36	19	M10	0.39	345
GFS303G	1	G1	25	52.4	70	30.2	55	18	38	19	M10	0.46	345
GFS304G	1 1/4	G1 1/4	32	58.7	79	35.7	68	21	41	22	M10	0.66	276
GFS305G	1 1/2	G1 1/2	38	69.9	93	42.9	78	25	45	24	M12	1.05	207
GFS306G	2	G2	51	77.8	102	50.8	90	25	45	26	M12	1.19	207
GFS307G	2 1/2	G2 1/2	63	88.9	114	50.8	105	25	50	30	M12	1.4	172
GFS308G	3	G3	73	106	134	61.9	124	27	50	34	M16	2.15	138

6000PSI

Type	Size Inch	Dimensions(mm)										Weight Kg	Pressure Bar
		A	D	L1	L2	L3	L4	H1	H2	H3	M		
GFS601G	1/2	G1/2	13	40.5	54	18.2	46	16	36	19	M8	0.26	414
GFS602G	3/4	G3/4	19	50.8	71	23.8	55	21	36	22	M10	0.5	414
GFS603G	1	G1	25	57.2	81	27.8	65	25	42	22	M12	0.76	414
GFS604G	1 1/4	G1 1/4	32	66.7	95	31.8	78	27	45	25	M14	1.2	414
GFS605G	1 1/2	G1 1/2	38	79.4	112	36.5	94	30	50	28	M16	1.65	414
GFS606G	2	G2	51	96.8	134	44.5	114	37	65	32	M20	2.45	414

90° BSPP Thread Flange



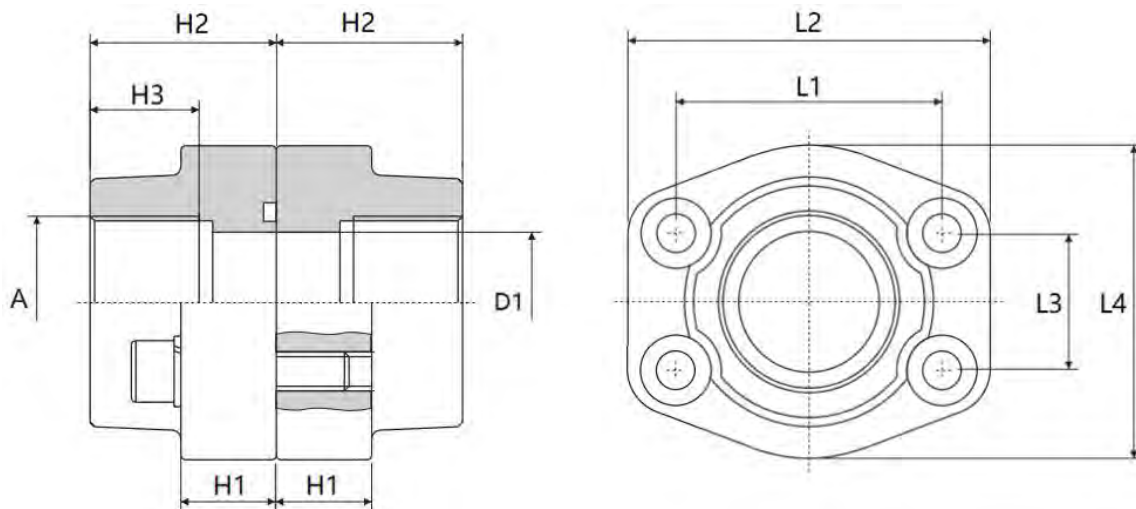
3000PSI

Type	Size Inch	Dimensions(mm)											Accessories		Weight Kg	Pressure Bar
		A	D1	D2	L1	L2	L3	L4	L5	H	S1	S2	Bolt	O-Ring		
AFW301G	1/2	G1/2	13	9	38.1	54	17.5	60	19	16	20	37	M8×30	18.66×3.53	0.4	345
AFW302G	3/4	G3/4	19	11	47.63	65	22.26	63	19	18	24	38	M10×35	25.00×3.53	0.6	345
AFW303G	1	G1	25	11	52.37	70	26.16	70	20	19	28	43	M10×35	32.92×3.53	0.8	345
AFW304G	1 1/4	G1 1/4	32	11	58.72	79	30.18	85	22	21	34	51	M10×40	37.70×3.53	1.2	276
AFW305G	1 1/2	G1 1/2	38	13.5	69.85	93	35.72	95	25	25	38	56	M12×45	47.22×3.53	1.65	207
AFW306G	2	G2	51	13.5	77.77	102	42.88	110	28	25	42	65	M12×45	56.75×3.53	2	207

6000PSI

Type	Size Inch	Dimensions(mm)											Accessories		Weight Kg	Pressure Bar
		A	D1	D2	L1	L2	L3	L4	L5	H	S1	S2	Bolt	O-Ring		
AFW601G	1/2	G1/2	13	9	40.49	54	18.24	60	19	16	20	37	M8×30	18.66×3.53	0.5	414
AFW602G	3/4	G3/4	19	11	50.8	70	23.8	70	19	19	28	43	M10×35	25.00×3.53	1.25	414
AFW603G	1	G1	25	13	57.17	79	27.78	85	20	21	34	51	M12×40	32.92×3.53	1.5	414
AFW604G	1 1/4	G1 1/4	32	15	66.68	93	31.76	95	22	25	38	56	M14×45	37.70×3.53	1.8	414
AFW605G	1 1/2	G1 1/2	38	17	79.38	110	36.52	100	25	25	42	65	M16×45	47.22×3.53	2.8	414
AFW606G	2	G2	51	21	96.82	134	44.46	150	28	29	60	92	M20×55	56.75×3.53	4	414

BSPP Thread Flange Coupling



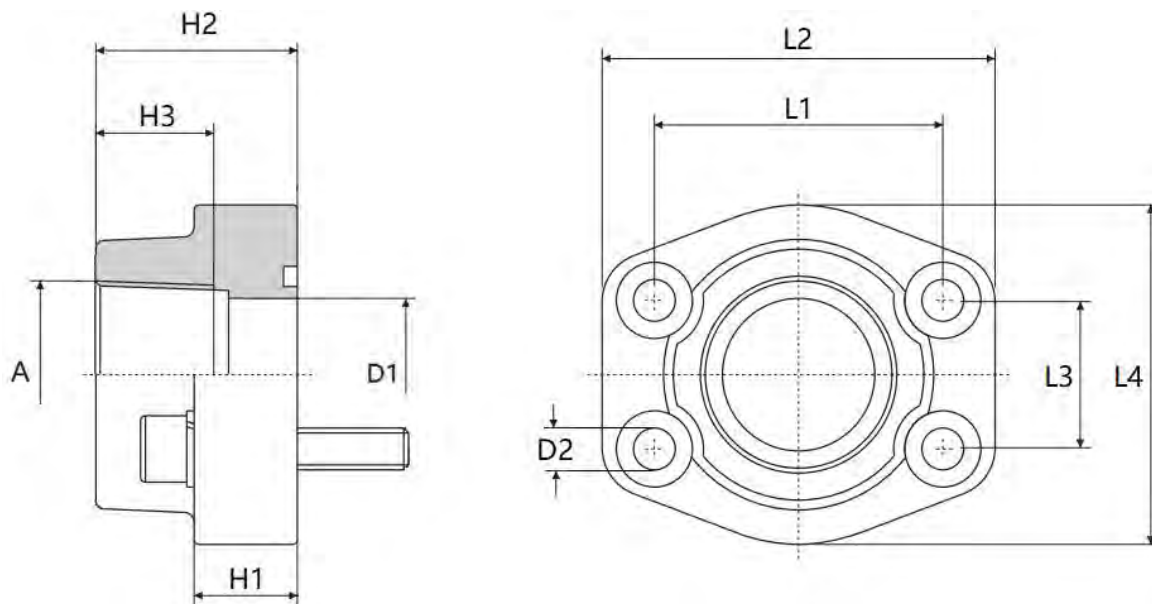
3000PSI

Type	Size Inch	Dimensions(mm)									Accessories		Weight Kg	Pressure Bar
		A	D1	L1	L2	L3	L4	H1	H2	H3	Bolt	O-Ring		
DFS301G	1/2	G1/2	13	38.1	54	17.5	46	16	36	19	M8×30	18.66×3.53	0.5	345
DFS302G	3/4	G3/4	19	47.63	65	22.26	50	18	36	19	M10×35	25.00×3.53	0.78	345
DFS303G	1	G1	25	52.37	70	26.16	55	18	38	19	M10×35	32.92×3.53	0.92	345
DFS304G	1 1/4	G1 1/4	32	58.72	79	30.18	68	21	41	22	M10×40	37.70×3.53	1.32	276
DFS305G	1 1/2	G1 1/2	38	69.85	93	35.72	78	25	45	24	M12×45	47.22×3.53	2.1	207
DFS306G	2	G2	51	77.77	102	42.88	90	25	45	26	M12×45	56.75×3.53	2.4	207
DFS307G	2 1/2	G2 1/2	63	88.9	114	50.8	105	25	50	30	M12×45	69.45×3.53	2.8	172
DFS308G	3	G3	73	106.38	134	61.92	124	27	50	34	M16×50	85.32×3.53	4.3	138

6000PSI

Type	Size Inch	Dimensions(mm)									Accessories		Weight Kg	Pressure Bar
		A	D1	L1	L2	L3	L4	H1	H2	H3	Bolt	O-Ring		
DFS601G	1/2	G1/2	13	40.49	54	18.24	46	16	36	19	M8*30	18.66×3.53	0.52	414
DFS602G	3/4	G3/4	19	50.8	71	23.8	55	21	36	22	M10*35	25.00×3.53	1	414
DFS603G	1	G1	25	57.17	81	27.78	65	25	42	22	M12*50	32.92×3.53	1.52	414
DFS604G	1 1/4	G1 1/4	32	66.68	95	31.78	78	27	45	25	M14*50	37.70×3.53	2.4	414
DFS605G	1 1/2	G1 1/2	38	79.38	112	36.52	94	30	50	28	M16*55	47.22×3.53	3.3	414
DFS606G	2	G2	51	96.82	134	44.46	114	37	65	32	M20*70	56.75×3.53	4.9	414

NPT Thread Flange



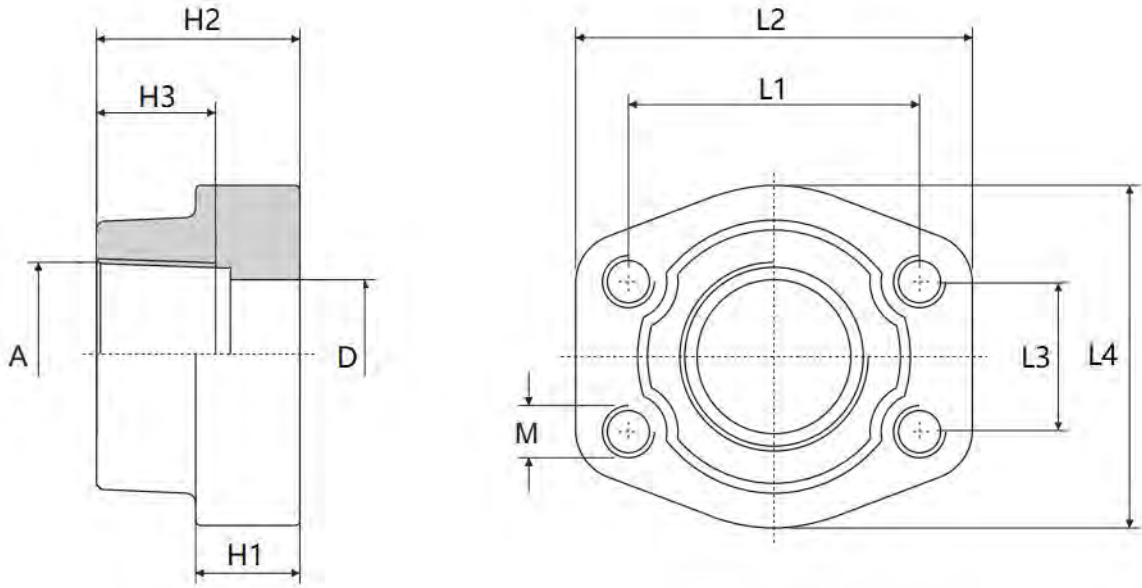
3000PSI

Type	Size Inch	Dimensions(mm)										Accessories		Weight Kg	Pressure Bar
		A	D1	D2	L1	L2	L3	L4	H1	H2	H3	Bolt	O-Ring		
AFS301N	1/2	NPT1/2	13	9	38.1	54	17.5	46	16	36	19	M8×30	18.66×3.53	0.25	345
AFS302N	3/4	NPT3/4	19	11	47.63	65	22.26	50	18	36	19	M10×35	25.00×3.53	0.39	345
AFS303N	1	NPT1	25	11	52.37	70	26.16	55	18	38	19	M10×35	32.92×3.53	0.46	345
AFS304N	1 1/4	NPT1 1/4	32	11.5	58.72	79	30.18	68	21	41	22	M10×40	37.70×3.53	0.66	276
AFS305N	1 1/2	NPT1 1/2	38	13.5	69.85	93	35.72	78	25	45	24	M12×45	47.22×3.53	1.05	207
AFS306N	2	NPT2	51	13.5	77.77	102	42.88	90	25	45	26	M12×45	56.75×3.53	1.19	207
AFS307N	2 1/2	NPT2 1/2	63	13.5	88.9	114	50.8	105	25	50	30	M12×45	69.45×3.53	1.4	172
AFS308N	3	NPT3	73	17	106.38	134	61.92	124	27	50	34	M16×50	85.32×3.53	2.15	138

6000PSI

Type	Size Inch	Dimensions(mm)										Accessories		Weight Kg	Pressure Bar
		A	D1	D2	L1	L2	L3	L4	H1	H2	H3	Bolt	O-Ring		
AFS601N	1/2	NPT1/2	13	9	40.49	54	18.24	46	16	36	19	M8×30	18.66×3.53	0.26	414
AFS602N	3/4	NPT3/4	19	11	50.8	71	23.8	55	21	36	22	M10×35	25.00×3.53	0.5	414
AFS603N	1	NPT1	25	13	57.17	81	27.78	65	25	42	22	M12×45	32.92×3.53	0.76	414
AFS604N	1 1/4	NPT1 1/4	32	15	66.68	95	31.78	78	27	45	25	M14×50	37.7×3.53	1.2	414
AFS605N	1 1/2	NPT1 1/2	38	17	79.38	112	36.52	94	30	50	28	M16×55	47.22×3.53	1.65	414
AFS606N	2	NPT2	51	21	96.82	134	44.46	114	37	65	32	M20×70	56.75×3.53	2.45	414

NPT Thread Counter Flange



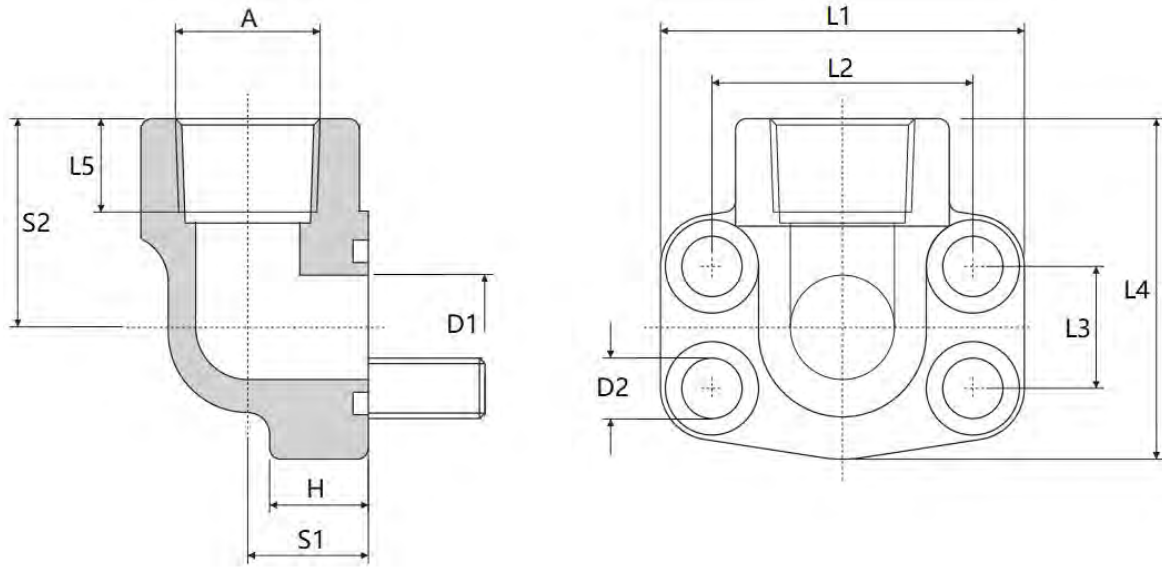
3000PSI

Type	Size Inch	Dimensions(mm)										Weight Kg	Pressure Bar
		A	D	L1	L2	L3	L4	H1	H2	H3	M		
GFS301N	1/2	NPT1/2	13	38.1	54	17.5	46	16	36	19	M8	0.25	345
GFS302N	3/4	NPT3/4	19	47.6	65	22.3	50	18	36	19	M10	0.39	345
GFS303N	1	NPT1	25	52.4	70	26.2	55	18	38	19	M10	0.46	345
GFS304N	1 1/4	NPT1 1/4	32	58.7	79	30.2	68	21	41	22	M10	0.66	276
GFS305N	1 1/2	NPT1 1/2	38	69.9	93	35.7	78	25	45	24	M12	1.05	207
GFS306N	2	NPT2	51	77.8	102	42.9	90	25	45	26	M12	1.19	207
GFS307N	2 1/2	NPT2 1/2	63	88.9	114	50.8	105	25	50	30	M12	1.4	172
GFS308N	3	NPT3	73	106	134	61.9	124	27	50	34	M16	2.15	138

6000PSI

Type	Size Inch	Dimensions(mm)										Weight Kg	Pressure Bar
		A	D	L1	L2	L3	L4	H1	H2	H3	M		
GFS601N	1/2	NPT1/2	13	40.5	54	18.2	46	16	36	19	M8	0.26	414
GFS602N	3/4	NPT3/4	19	50.8	71	23.8	55	21	36	22	M10	0.5	414
GFS603N	1	NPT1	25	57.2	81	27.8	65	25	42	22	M12	0.76	414
GFS604N	1 1/4	NPT1 1/4	32	66.7	95	31.8	78	27	45	25	M14	1.2	414
GFS605N	1 1/2	NPT1 1/2	38	79.4	112	36.5	94	30	50	28	M16	1.65	414
GFS606N	2	NPT2	51	96.8	134	44.5	114	37	65	32	M20	2.45	414

90° NPT Thread Flange



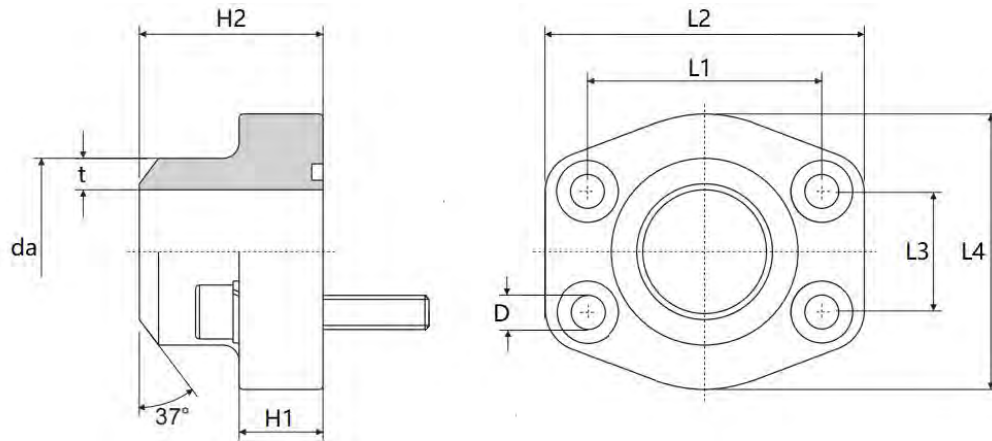
3000PSI

Type	Size Inch	Dimensions(mm)											Accessories		Weight Kg	Pressure Bar
		A	D1	D2	L1	L2	L3	L4	L5	H	S1	S2	Bolt	O-Ring		
AFW301N	1/2	NPT1/2	13	9	38.1	54	17.5	60	19	16	20	37	M8×30	18.66×3.53	0.4	345
AFW302N	3/4	NPT3/4	19	11	47.63	65	22.26	63	19	18	24	38	M10×35	25.00×3.53	0.6	345
AFW303N	1	NPT1	25	11	52.37	70	26.16	70	20	19	28	43	M10×35	32.92×3.53	0.8	345
AFW304N	1 1/4	NPT1 1/4	32	11	58.72	79	30.18	85	22	21	34	51	M10×40	37.70×3.53	1.2	276
AFW305N	1 1/2	NPT1 1/2	38	13.5	69.85	93	35.72	95	25	25	38	56	M12×45	47.22×3.53	1.65	207
AFW306N	2	NPT2	51	13.5	77.77	102	42.88	110	28	25	42	65	M12×45	56.75×3.53	2	207

6000PSI

Type	Size Inch	Dimensions(mm)											Accessories		Weight Kg	Pressure Bar
		A	D1	D2	L1	L2	L3	L4	L5	H	S1	S2	Bolt	O-Ring		
AFW601N	1/2	NPT1/2	13	9	40.49	54	18.24	60	19	16	20	37	M8×30	18.66×3.53	0.5	414
AFW602N	3/4	NPT3/4	19	11	50.8	70	23.8	70	19	19	28	43	M10×35	25.00×3.53	1.25	414
AFW603N	1	NPT1	25	13	57.17	79	27.78	85	20	21	34	51	M12×40	32.92×3.53	1.5	414
AFW604N	1 1/4	NPT1 1/4	32	15	66.68	93	31.76	95	22	25	38	56	M14×45	37.70×3.53	1.8	414
AFW605N	1 1/2	NPT1 1/2	38	17	79.38	110	36.52	100	25	25	42	65	M16×45	47.22×3.53	2.8	414
AFW606N	2	NPT2	51	21	96.82	134	44.46	150	28	29	60	92	M20×55	56.75×3.53	4	414

Butt Weld Flange



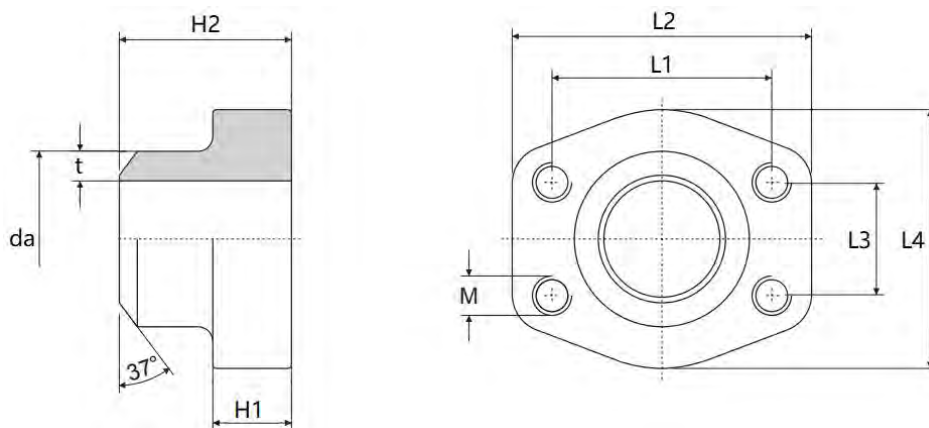
3000PSI

Type	Size Inch	Dimensions(mm)								Accessories		Weight Kg	Pressure Bar
		da x t	L1	L2	L3	L4	H1	H2	D	Bolt	O-Ring		
AFS301T	1/2	16×2.5 20×3 21.6×4.3	38.1	54	17.5	46	16	36	9	M8×30	18.66×3.53	0.28	345
AFS302T	3/4	25×3 26.9×3.6 28×4.5	47.63	65	22.26	50	18	36	11	M10×35	25.00×3.53	0.39	345
AFS303T	1	30×4 33.7×3.6 34×4.5/3 5×4	52.37	70	26.16	55	18	38	11	M10×35	32.92×3.53	0.46	345
AFS304T	1 1/4	38×4 42.4×3.6 42.8×5.5	58.72	79	30.18	68	21	41	11.5	M10×40	37.70×3.53	0.66	276
AFS305T	1 1/2	42.2×4 48.3×4 48.6×5.5	69.85	93	35.72	78	25	45	13.5	M12×45	47.22×3.53	1.05	207
AFS306T	2	60.3×4 61×5.5	77.77	102	42.88	90	25	45	13.5	M12×45	56.75×3.53	1.09	207
AFS307T	2 1/2	76.1×4 77×7.1	88.9	114	50.8	105	25	50	13.5	M12×45	69.45×3.53	1.4	172
AFS308T	3	76.1×4 76.1×7.1 89×4 92×9	106.4	135	61.92	124	27	50	17	M16×50	85.32×3.53	2.15	138
AFS309T	3 1/2	89×4 103×7	120.7	152	69.85	136	27	48	17	M16×50	98.02×3.53	2.4	34
AFS310T	4	114.3×4 115.5×8	130.2	162	77.76	146	27	48	17	M16×50	110.72×3.53	2.85	34

6000PSI

Type	Size Inch	Dimensions(mm)								Accessories		Weight Kg	Pressure Bar
		da x t	L1	L2	L3	L4	H1	H2	D	Bolt	O-Ring		
AFS601T	1/2	16×2.5 20×3 21.6*4.3	40.49	54	18.24	46	16	36	9	M8×30	18.66×3.53	0.35	414
AFS602T	3/4	20×3 25×4 26.9×3.6 28×4.5	50.8	71	23.82	55	21	36	11	M10×35	25.00×3.53	0.65	414
AFS603T	1	25×4 30×5 33.7×7.1 34×4.5	57.17	81	27.78	65	25	42	13	M12×45	32.92×3.53	1.05	414
AFS604T	1 1/4	30×5 38×6 42.4×8.8 42.8×5.5	66.68	95	31.76	78	27	45	15	M14×50	37.70×3.53	1.53	414
AFS605T	1 1/2	48.3×8.8 48.6×5.5 30.3×10	79.38	112	36.52	94	30	50	17	M16×55	47.22×3.53	2.5	350
AFS606T	2	30.3×10 61×9 61×5.5 76.1×12.5	96.82	134	44.46	114	37	65	21	M20×70	56.75×.53	4.2	350

Butt Weld Counter Flange



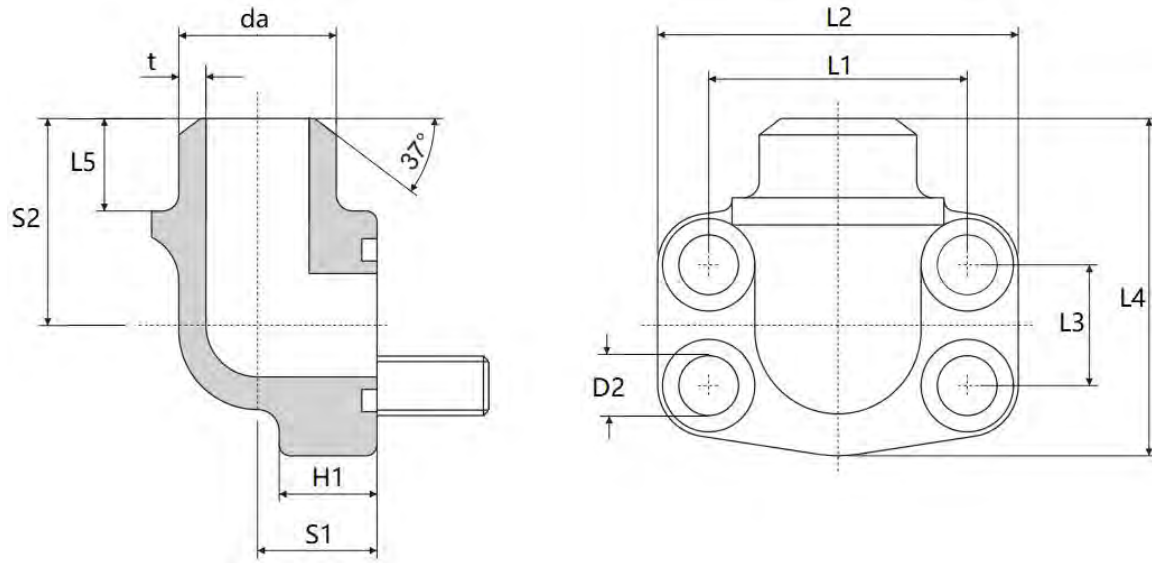
3000PSI

Type	Size Inch	Dimensions(mm)								Weight Kg	Pressure Bar
		$da \times t$	L1	L2	L3	L4	H1	H2	M		
GFS301T	1/2	16×2.5 20×3 21.6×4.3	38.1	54	17.5	46	16	36	M8	0.28	345
GFS302T	3/4	25×3 26.9×3.6 28×4.5	47.63	65	22.26	50	18	36	M10	0.39	345
GFS303T	1	30×4 33.7×3.6 34×4.5 35×4	52.37	70	26.16	55	18	38	M10	0.46	345
GFS304T	1 1/4	38×4 42.4×3.6 42.8×5.5	58.72	79	30.18	68	21	41	M10	0.66	276
GFS305T	1 1/2	42.2×4 48.3×4 48.6×5.5	69.85	93	35.72	78	25	45	M12	1.05	207
GFS306T	2	60.3×4 61×5.5	77.77	102	42.88	90	25	45	M12	1.09	207
GFS307T	2 1/2	76.1×5.5 77×7.1	88.9	114	50.8	105	25	50	M12	1.4	172
GFS308T	3	76.1×4 76.1×7.1 89×4 92×9	106.4	135	61.92	124	27	50	M16	2.15	138
GFS309T	3 1/2	89×4 103×7	120.7	152	69.85	136	27	48	M16	2.4	34
GFS310T	4	114.3×4 115.5×8	130.2	162	77.76	146	27	48	M16	2.85	34

6000PSI

Type	Size Inch	Dimensions(mm)								Weight Kg	Pressure Bar
		$da \times t$	L1	L2	L3	L4	H1	H2	M		
GFS601T	1/2	16×2.5 20×3 21.6×4.3	40.49	54	18.24	46	16	36	M8	0.35	414
GFS602T	3/4	20×3 25×4 26.9×3.6 28×4.5	50.8	71	23.82	55	21	36	M10	0.65	414
GFS603T	1	25×4 30×5 33.7×7.1 34×4.5	57.17	81	27.78	65	25	42	M12	1.05	414
GFS604T	1 1/4	30×5 38×6 42.4×8.8 42.8×5.5	66.68	95	31.76	78	27	45	M14	1.53	414
GFS605T	1 1/2	48.3×8.8 48.6×5.5 60.3×10	79.38	112	36.52	94	30	50	M16	2.5	350
GFS606T	2	60.3×10 61×9 61×5.5 76.1×12.5	96.82	134	44.46	114	37	65	M20	4.2	350

90° Butt Weld Flange



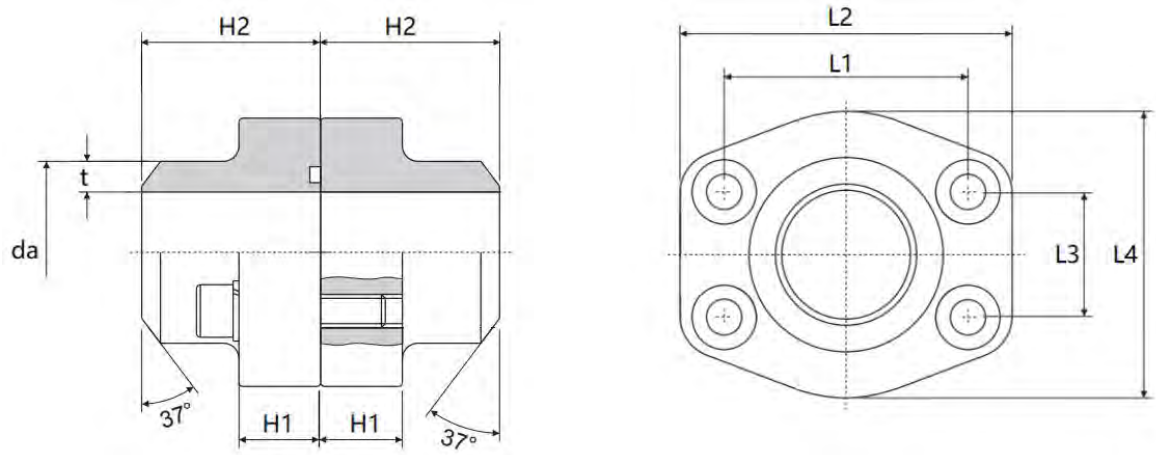
3000PSI

Type	Size Inch	Dimensions(mm)											Accessories		Weight Kg	Pressure Bar
		da×t	D1	D2	L1	L2	L3	L4	L5	H	S1	S2	Bolt	O-Ring		
AFW301T	1/2	20×3 22×4	13	9	38.1	54	17.5	60	10	16	20	37	M8×30	18.66× 3.53	0.4	345
AFW302T	3/4	25×3 28×4	19	11	47.63	65	22.26	63	10	18	24	38	M10×35	25.00× 3.53	0.6	345
AFW303T	1	30×4 35×4	25	11	52.37	70	26.16	70	12	19	28	43	M10×35	32.92× 3.53	0.8	345
AFW304T	1 1/4	38×4 42.4×4	32	11	58.72	79	30.18	85	14	21	34	51	M10×40	37.70× 3.53	1.2	276
AFW305T	1 1/2	42.4×4 48.3×4.5	38	13.5	69.85	93	35.72	95	16	25	38	56	M12×45	47.22× 3.53	1.65	207
AFW306T	2	60.3×5.6	51	13.5	77.77	102	42.88	110	18	25	42	65	M12×45	56.75× 3.53	2	207

6000PSI

Type	Size Inch	Dimensions(mm)											Accessories		Weight Kg	Pressure Bar
		da×t	D1	D2	L1	L2	L3	L4	L5	H	S1	S2	Bolt	O-Ring		
AFW601T	1/2	20×3 22×4	13	9	40.49	54	18.24	60	10	16	20	37	M8×30	18.66× 3.53	0.5	414
AFW602T	3/4	25×4 28×4.5	19	11	50.8	70	23.8	70	12	19	28	46	M10×35	25.00× 3.53	1.25	414
AFW603T	1	30×4 35×5	25	13	57.17	79	27.78	85	14	21	34	51	M12×40	32.92× 3.53	1.5	414
AFW604T	1 1/4	38×5 42.4×6	32	15	66.68	93	31.76	95	16	25	38	56	M14×45	37.70× 3.53	1.8	414
AFW605T	1 1/2	48.3×8	38	17	79.38	110	36.52	100	18	25	42	65	M16×45	47.22× 3.53	2.8	414
AFW606T	2	60.3×10	51	21	96.82	134	44.46	150	18	29	60	92	M20×55	56.75× 3.53	4	414

Butt Weld Flange Coupling



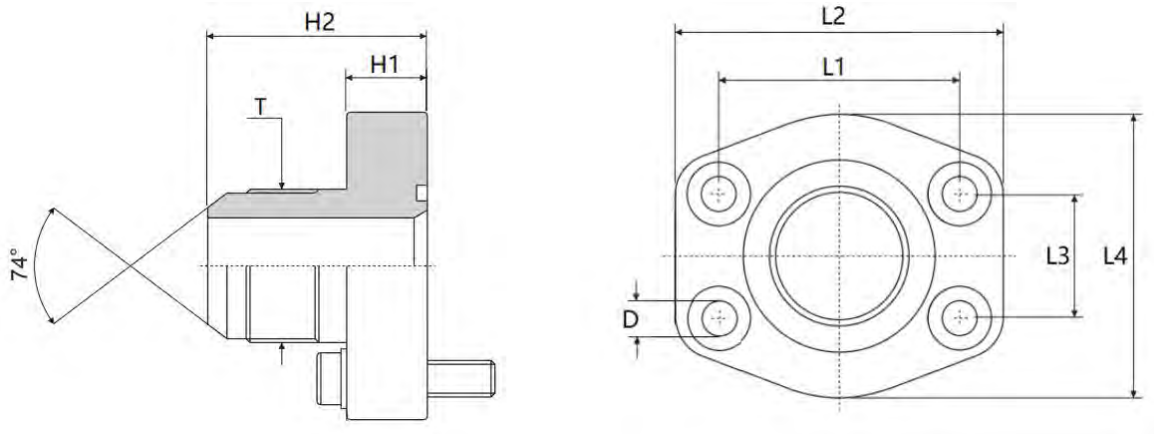
3000PSI

Type	Size Inch	Dimensions(mm)							Accessories		Weight Kg	Pressure Bar
		da×t	L1	L2	L3	L4	H1	H2	Bolt	O-Ring		
AFS301T	1/2	16×2.5 20×3 21.6×4.3	38.1	54	17.5	46	16	36	M8×30	18.66×3.53	0.56	345
AFS302T	3/4	25×3 26.9×3.6 28×4.5	47.63	65	22.26	50	18	36	M10×35	25.00×3.53	0.78	345
AFS303T	1	30×4, 33.7×3.6 34×4.5 35×4	52.37	70	26.16	55	18	38	M10×35	32.92×3.53	0.92	345
AFS304T	1 1/4	38×4 42.4×3.6 42.8×5.5	58.72	79	30.18	68	21	41	M10×40	37.70×3.53	1.32	276
AFS305T	1 1/2	42.2×4 48.3×4 48.6×5.5	69.85	93	35.72	78	25	45	M12×45	47.22×3.53	2.1	207
AFS306T	2	60.3×4 61×5.5	77.77	102	42.88	90	25	45	M12×45	56.75×3.53	2.4	
AFS307T	2 1/2	76.1×4 77×7.1	88.9	114	50.8	105	25	50	M12×45	69.45×3.53	2.8	172
AFS308T	3	76.1×4 76.1×7.1 89×4 92×9	106.4	135	61.92	124	27	50	M16×50	85.32×3.53	4.3	138
AFS309T	3 1/2	89×4 103×7	120.7	152	69.85	136	27	48	M16×50	98.02×3.53	4.8	34
AFS310T	4	114.3×4 115.5×8	130.2	162	77.76	146	27	48	M16×50	110.72×3.53	5.8	34

6000PSI

Type	Size Inch	Dimensions(mm)							Accessories		Weight Kg	Pressure Bar
		da×t	L1	L2	L3	L4	H1	H2	Bolt	O-Ring		
AFS601T	1/2	16×2.5 20×3 21.6×4.3	40.49	54	18.24	46	16	36	M8×30	18.66×3.53	0.7	414
AFS602T	3/4	20×3 25×4 26.9×3.6 28×4.5	50.8	71	23.82	55	21	36	M10×35	25.00×3.53	1.3	414
AFS603T	1	25×4 30×5 33.7×7.1 34×4.5	57.17	81	27.78	65	25	42	M12×45	32.92×3.53	2.1	414
AFS604T	1 1/4	30×5 38×6 42.4×8.8 42.8×5.5	66.68	95	31.76	78	27	45	M14×50	37.70×3.53	3.1	414
AFS605T	1 1/2	48.3×8.8 48.6×5.5 30.3×10	79.38	112	36.52	94	30	50	M16×55	47.22×3.53	5	350
AFS606T	2	30.3×10 61×9 61×5.5 76.1×12.5	96.82	134	44.46	114	37	65	M20×70	56.75×.53	8.4	350

Flared Flange



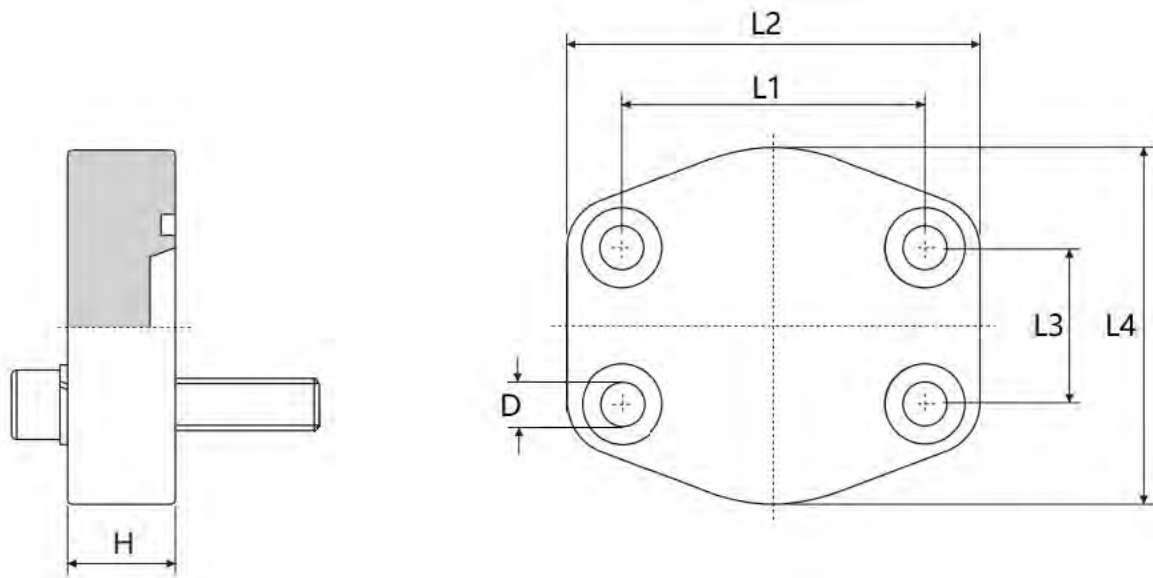
3000PSI

Type	Size Inch	Dimensions(mm)								Accessories		Weight Kg	Pressure Bar
		T	L1	L2	L3	L4	H1	H2	D	Bolt	O-Ring		
JFS301	1/2	3/4-16	38.1	54	17.5	46	16	36	9	M8×30	18.66×3.53	0.28	345
JFS302	3/4	1 1/16-12	47.63	65	22.26	50	18	36	11	M10×35	25.00×3.53	0.39	345
JFS303	1	1 5/16-12	52.37	70	26.16	55	18	38	11	M10×35	32.92×3.53	0.46	345
JFS304	1 1/4	1 5/8-12	58.72	79	30.18	68	21	41	11.5	M10×40	37.70×3.53	0.66	276
JFS305	1 1/2	1 7/8-12	69.85	93	35.72	78	25	45	13.5	M12×45	47.22×3.53	1.05	207
JFS306	2	2 1/2-12	77.77	102	42.88	90	25	45	13.5	M12×45	56.75×3.53	1.09	207

6000PSI

Type	Size Inch	Dimensions(mm)								Accessories		Weig ht Kg	Pressure Bar
		T	L1	L2	L3	L4	H1	H2	D	Bolt	O-Ring		
JFS601	1/2	3/4-16	40.49	54	18.24	46	16	36	9	M8×30	18.66×3.53	0.35	414
JFS602	3/4	1 1/16-12	50.8	71	23.82	55	21	36	11	M10×35	25.00×3.53	0.65	414
JFS603	1	1 5/16-12	57.17	81	27.78	65	25	42	13	M12×45	32.92×3.53	1.05	414
JFS604	1 1/4	1 5/8-12	66.68	95	31.76	78	27	45	15	M14×50	37.70×3.53	1.53	414
JFS605	1 1/2	1 7/8-12	79.38	112	36.52	94	30	50	17	M16×55	47.22×3.53	2.5	350
JFS606	2	2 1/2-12	96.82	134	44.46	114	37	65	21	M20×70	56.75×.53	4.2	350

Closed Flange



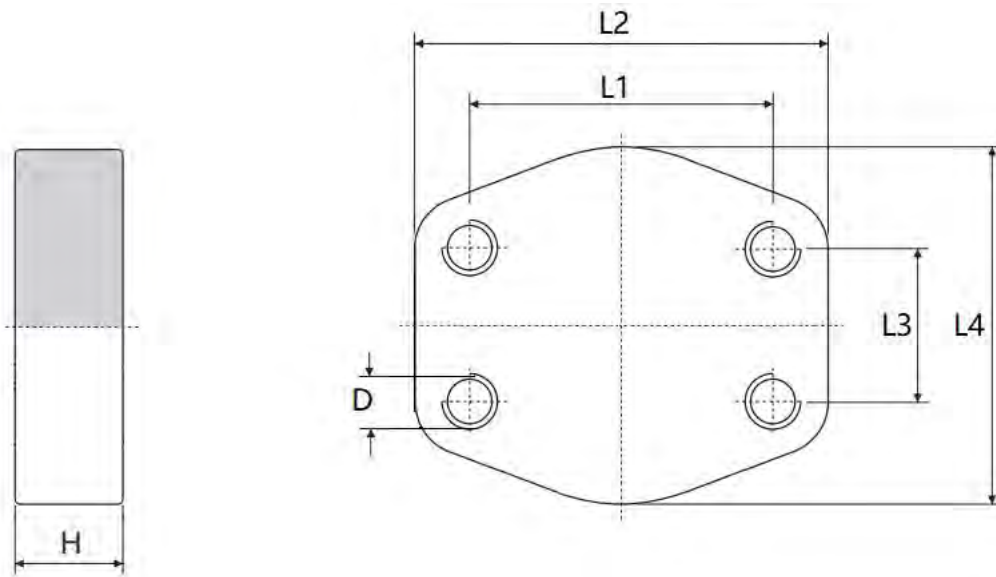
3000PSI

Type	Size Inch	Dimensions(mm)						Accessories		Weight Kg	Pressure Bar
		L1	L2	L3	L4	H	D	Bolt	O-Ring		
AFC301	1/2	38.1	54	17.5	46	16	9	M8×30	18.66×3.53	0.2	345
AFC302	3/4	47.63	65	22.3	50	16	11	M10×35	25.00×3.53	0.3	345
AFC303	1	52.37	70	26.2	55	19	11	M10×35	32.92×3.53	0.37	345
AFC304	1 1/4	58.72	79	30.2	68	19	11.5	M10×40	37.70×3.53	0.54	276
AFC305	1 1/2	69.85	93	35.7	78	20	13.5	M12×45	47.22×3.53	0.9	207
AFC306	2	77.77	102	42.9	90	20	13.5	M12×45	56.75×3.53	1	207
AFC307	2 1/2	88.9	114	50.8	105	20	13.5	M12×45	69.45×3.53	1.35	172
AFC308	3	106.38	134	61.9	124	24	17	M16×50	85.32×3.53	2.35	138

6000PSI

Type	Size Inch	Dimensions(mm)						Accessories		Weight Kg	Pressure Bar
		L1	L2	L3	L4	H	D	Bolt	O-Ring		
AFC601	1/2	40.49	54	18.2	46	16	9	M8×30	18.66×3.53	0.2	414
AFC602	3/4	50.8	71	23.8	55	19	11	M10×35	25.00×3.53	0.48	414
AFC603	1	57.15	81	27.8	65	24	13	M12×45	32.92×3.53	0.77	414
AFC604	1 1/4	66.68	95	31.8	78	27	15	M14×45	37.70×3.53	0.85	414
AFC605	1 1/2	79.38	112	36.5	94	30	17	M16×45	47.22×3.53	1.8	414
AFC606	2	96.82	134	44.5	114	28	21	M20×65	56.75×3.53	2	414

Closed Counter Flange



3000PSI

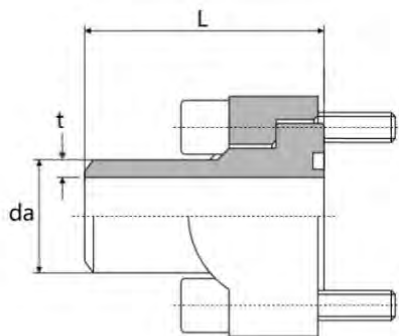
Type	Size Inch	Dimensions(mm)						Weight Kg	Pressure Bar
		L1	L2	L3	L4	H	M		
GFC301	1/2	38.1	54	17.5	46	16	M8	0.2	345
GFC302	3/4	47.63	65	22.3	50	16	M10	0.3	345
GFC303	1	52.37	70	26.2	55	19	M10	0.37	345
GFC304	1 1/4	58.72	79	30.2	68	19	M10	0.54	276
GFC305	1 1/2	69.85	93	35.7	78	20	M12	0.9	207
GFC306	2	77.77	102	42.9	90	20	M12	1	207
GFC307	2 1/2	88.9	114	50.8	105	20	M12	1.35	172
GFC308	3	106.38	134	61.9	124	24	M16	2.35	138

6000PSI

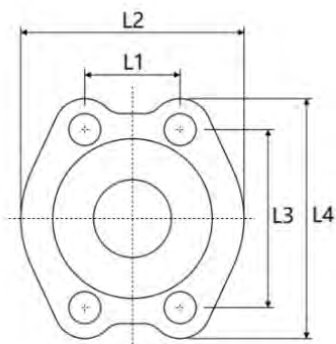
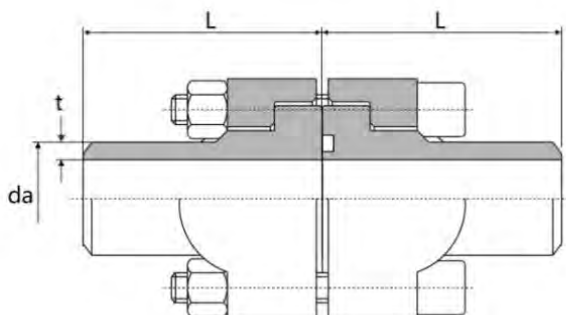
Type	Size Inch	Dimensions(mm)						Weight Kg	Pressure Bar
		L1	L2	L3	L4	H	M		
GFC601	1/2	40.49	54	18.2	46	16	M8	0.2	414
GFC602	3/4	50.8	71	23.8	55	19	M10	0.48	414
GFC603	1	57.15	81	27.8	65	24	M12	0.77	414
GFC604	1 1/4	66.68	95	31.8	78	27	M14	0.85	414
GFC605	1 1/2	79.38	112	36.5	94	30	M16	1.8	414
GFC606	2	96.82	134	44.5	114	28	M20	2	414

SAE Flange Weld Coupling

ASF



BSF

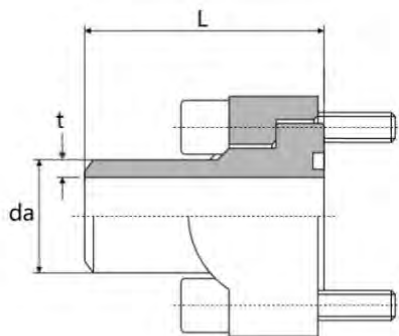


3000PSI

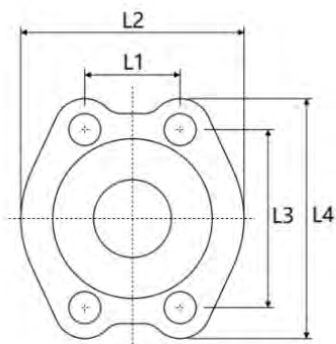
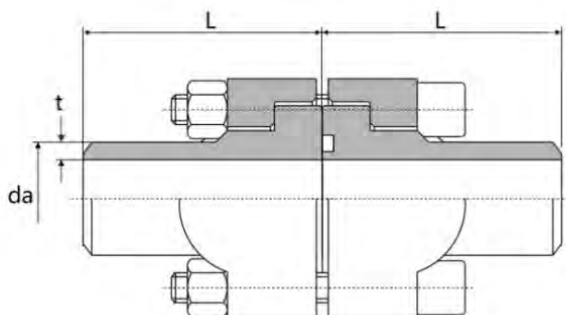
Type	Size Inch	Dimensions(mm)							accessories		Weight Kg	Pressure Bar
		da x t	L1	L2	L3	L4	L	D	Bolt	O-Ring		
ASF301 BSF301	1/2	16×3, 20×3, 22×3, 22×4.5	17.5	46	38	54	30	8.5	M8×25 M8×40	18.66×3.53	0.26 0.52	345
ASF302 BSF302	3/4	20×3, 22×3, 25×3, 28×4.5, 26.9×3.6, 30×5	22.3	51.8	48	65	35	10.5	M10×30 M10×45	25×3.53	0.44 0.85	345
ASF303 BSF303	1	25×3, 28×3, 30×4, 33.7×7.1, 35×5 38×5	26.2	58.4	52	70	40	10.5	M10×30 M10×50	32.92×3.53	0.56 1.1	345
ASF304 BSF304	1 1/4	30×4, 34×5, 38×4, 38×6, 42.4×4, 43×6	30.2	72.6	59	79	45	10.5	M10×30 M10×50	37.70×3.53	0.72 1.40	276
ASF305 BSF305	1 1/2	38×4, 42.4×4, 48.3×3.6, 48.3×5, 50×6	35.7	82.2	70	94	50	13.3	M12×35 M12×55	47.22×3.53	0.92 1.8	207
ASF306 BSF306	2	42.4×4, 48.3×6, 50×6, 57×3.5, 60.3×4, 60.3×5.6, 60.3×8, 62×7.5	42.9	96.4	78	102	60	13.3	M12×35 M12×55	56.75×3.53	1.3 2.5	207
ASF307 BSF307	2 1/2	76.1×4, 76.1×5.5, 76.1×7.1	50.8	108	89	114	70	13.3	M12×40 M12×55	69.45×3.53	1.8 3.5	172
ASF308 BSF308	3	76.1×4, 76.1×7.1, 89×4, 89×8, 90×10	61.9	131	106	135	70	17	M16×45 M16×70	85.32×3.53	2.6 5.1	138
ASF309 BSF309	3 1/2	76.1×4, 89×4, 101.6×7.1	69.8	139	121	152	80	17	M16×45 M16×70	98.02×3.53	3 5.8	34
ASF310 BSF310	4	89×5, 114.3×6, 114.3×8	77.8	152	130	162	80	17	M16×50 M16×75	110.72×3.5 3	3.5 6.7	34
ASF311 BSF311	5	133×4, 140×4, 140×10	92.1	180	152	184	80	17	M16×50 M16×80	136.12×3.5 3	4.5 8.6	34

SAE Flange Weld Coupling

ASF



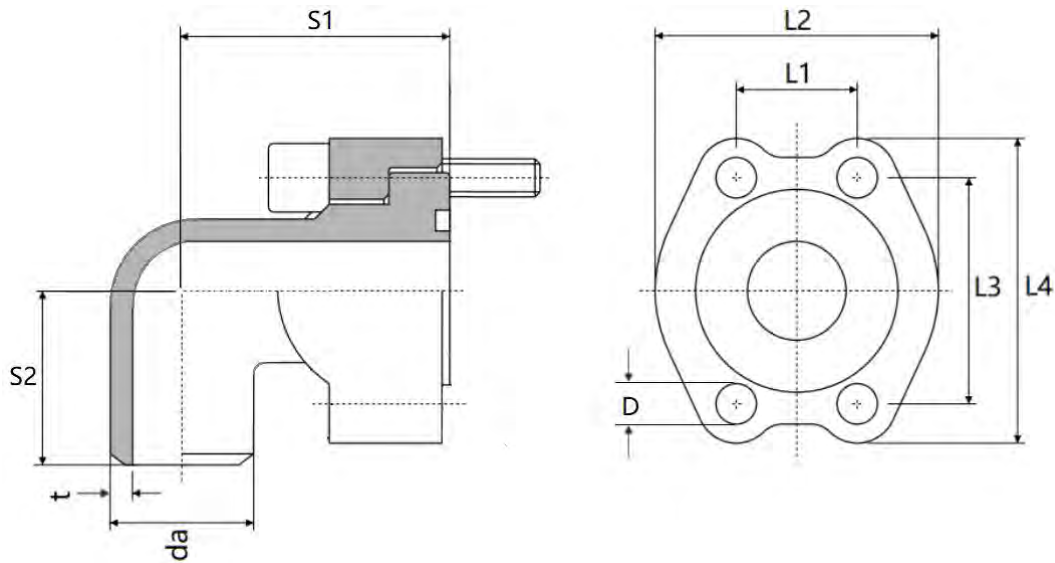
BSF



6000PSI

Type	Size Inch	Dimensions(mm)							accessories		Weight Kg	Pressure Bar
		da×t	L1	L2	L3	L4	L	D	Bolt	O-Ring		
ASF601 BSF601	1/2	16×3, 18×4, 20×3, 22×4.5	18.2	47.2	40	56	40	8.5	M8×30 M8×45	18.66×3.53	0.35 0.67	414
ASF602 BSF602	3/4	20×3, 22×4, 25×4, 26.9×5.6, 28×5, 35×6.5	23.8	60	51	71	45	10.5	M10×35 M10×55	25×3.53	0.68 1.30	414
ASF603 BSF603	1	25×4, 30×5, 33.7×7.1, 35×5, 38×5	27.8	69.6	57	81	50	12.6	M12×45 M12×65	32.92×3.53	1.06 2.00	414
ASF604 BSF604	1 1/4	30×5, 38×6, 42.4×6, 42.4×8, 44×7.5	31.8	77.2	67	95	55	14.6	M14×50 M14×75	37.70×3.53	1.58 3.0	414
ASF605 BSF605	1 1/2	38×6, 48.3×6, 48.3×8, 48.3×8.8, 50×6, 51×8	36.5	95	79	113	60	17	M16×55 M16×85	47.22×3.53	2.50 4.80	414
ASF606 BSF606	2	48.3×6, 57×6, 60.3×6.3, 60.3×8, 60.3×10, 61×9, 63×10, 65×11	44.5	114	97	133	70	21	M20×70 M20×100	56.75×3.53	4.30 8.20	414
ASF607 BSF607	2 1/2	76.1×12.5, 89×11, 89×14.2	58.8	150	124	180	80	25	M24×80 M24×130	75×5.33	8.50 16.5	414
ASF608 BSF608	3	89×14.2, 114.3×14.2, 108×12.5, 114.3×20, 114.3×17.5	71.6	198	152	215	10 0	31.5	M30×90 M30×150	88.60×5.7 98.60×5.7	16.80 32.80	414

SAE 90° Flange Welding Couplings



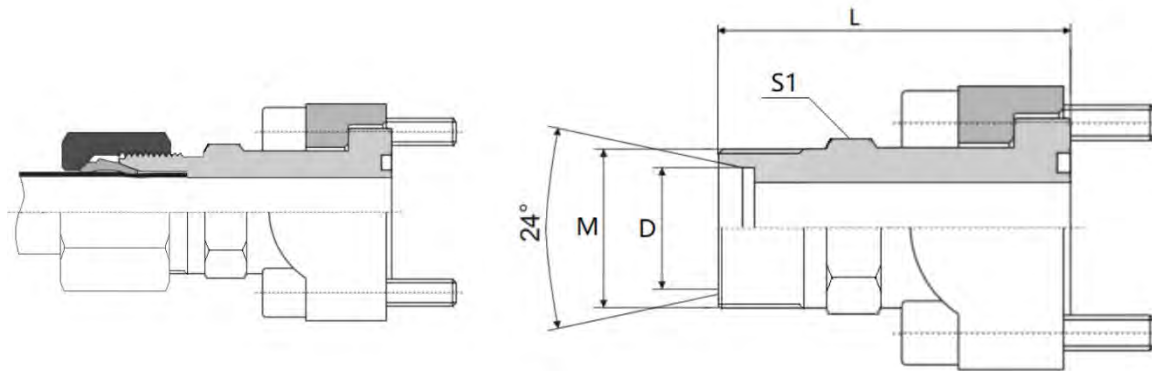
3000PSI

Type	Size Inch	Dimensions(mm)								accessories		Weight Kg	Pressure Bar
		da×t	L1	L2	L3	L4	S1	S2	D	Bolt	O-Ring		
AWF301	1/2	20×25 21.3×2.9 22×3	17.5	46	38	54	36	40	8.5	M8×25	18.66×3.53	0.4	345
AWF302	3/4	22×3 25×3 26.9×3.6	22.3	51.8	48	65	43	46	10.5	M10×30	25×3.53	0.6	345
AWF303	1	30×4 33.7×3.6 35×4	26.2	58.4	52	70	48	54	10.5	M10×30	32.92×3.52	0.8	345
AWF304	1 1/4	38×3 42.4×4	30.2	72.6	59	79	53	65	10.5	M10×35	37.70×3.53	1.2	250
AWF305	1 1/2	42.4×4 48.3×5	35.7	82.2	70	94	58	68	13.5	M12×35	47.22×3.53	1.6	200

6000PSI

Type	Size Inch	Dimensions(mm)								accessories		Weight Kg	Pressure Bar
		da×t	L1	L2	L3	L4	S1	S2	D	Bolt	O-Ring		
AWF601	1/2	16×3 20×3 22×3	18.2	47.2	40	56	39	40	8.5	M8×30	18.66×3.53	0.47	400
AWF602	3/4	25×4 26.9×5.6 28×5	23.8	60	51	71	48	50	10.5	M10×35	25×3.53	0.90	400
AWF603	1	30×5 33.7×7.1 35×5	27.8	69.6	57	81	60	60	12.6	M12×45	32.92×3.53	1.5	315
AWF604	1 1/4	38×6 42.4×6	31.8	77.2	67	95	68	66	14.6	M14×50	37.70×3.53	2.2	315
AWF605	1 1/2	38.6×6 48.3×8	36.5	95	79	113	76	75	17	M16×55	47.22×3.53	3.3	315

SAE Flange Adapter



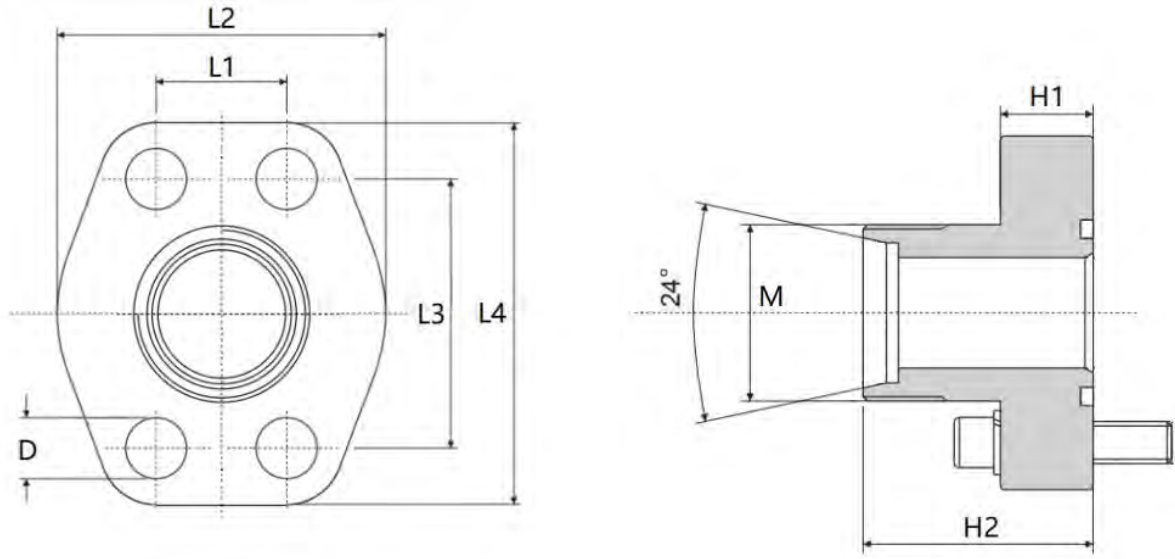
3000PSI

Flange Type	Inch	Joint No.	Tube D	thread M	L1	S1	S2	Pressure (Bar)
FH301	1/2	GSF301-15L	15L	M22×1.5	48	24	27	315
		GSF301-16S	16S	M24×1.5	50		30	350
FH302	3/4	GSF302-18L	18L	M26×1.5	54	30	32	315
		GSF302-22L	22L	M30×2	54		36	160
		GSF302-20S	20S	M30×2	58		36	350
		GSF302-25S	25S	M36×2	58		46	350
FH303	1	GSF303-28L	28L	M36×2	55	36	41	160
		GSF303-25L	25S	M36×2	59		46	350
		GSF303-30L	30S	M42×2	64		50	350
FH304	1 1/4	GSF304-35L	35L	M45×2	59	41	50	160
		GSF304-25S	25S	M36×2	62		46	280
		GSF304-30S	30S	M42×2	62		50	280
		GSF304-38L	38S	M52×2	67		60	280
FH305	1 1/2	GSF305-42L	42L	M52×2	65	46	60	160
		GSF305-38S	38S		71			210

6000PSI

Flange Type	Inch	Joint No.	Tube D1	thread M	L1	S2	S3	Pressure (Bar)
FH601	1/2	GSF601-16S	16S	M24×1.5	53.5	30	30	400
FH602	3/4	GSF602-16S	16S	M24×1.5	60	36	30	400
		GSF602-20S	20S	M30×2	61.5		36	
		GSF602-25S	25S	M36×2	63.5		46	
FH603	1	GSF603-25S	25S	M36×2	72	41	46	400
		GSF603-30S	30S	M42×2	74.5		50	
FH604	1 1/4	GSF604-30S	30S	M42×2	80	46	50	315
		GSF604-38S	38S	M52×2	83		60	
FH605	1 1/2	GSF605-38S	38S	M52×2	89.5	46	60	315

SAE Flange with 24° Cone End



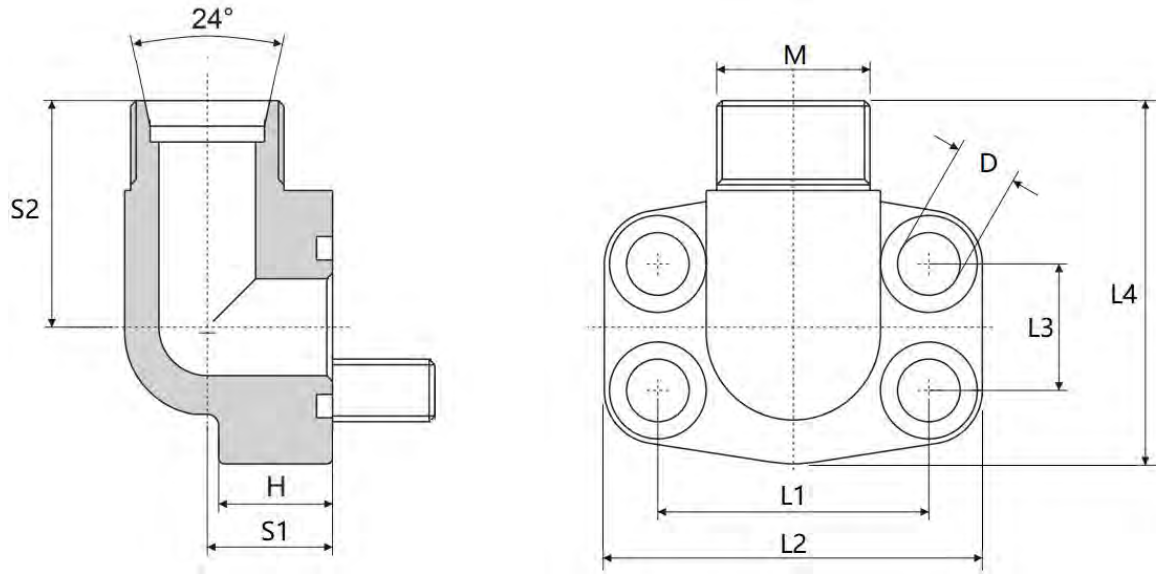
3000PSI

Type	Size Inch	Dimensions(mm)									Accessories		Weight Kg	Pressure Bar
		Tube	L1	L2	L3	L4	H1	H2	D	M	Bolt	O-Ring		
AFM301	1/2	15L	17.5	46	38	54	13	52	9	M22×1.5	M8×25	18.66×3.53	0.35	345
AFM302	3/4	22L	22.3	51.8	48	65	14	60	11	M30×2	M10×30	25×3.53	0.6	250
AFM303	1	28L	26.2	58.4	52	70	16	63	11	M36×2	M10×30	32.92×3.53	0.8	250
AFM304	1 1/4	35L	30.2	72.6	59	79	16	65	11.5	M45×2	M10×30	37.70×3.53	1	250
AFM305	1 1/2	42L	35.7	82.2	70	94	16	70	13.5	M52×2	M12×35	47.22×3.53	1.5	200

6000PSI

Type	Size Inch	Dimensions(mm)									Accessories		Weight Kg	Pressure Bar
		Tube	L1	L2	L3	L4	16	H2	D	M	Bolt	O-Ring		
AFM601	1/2	16S	18.2	18.2	40	54	19	60	9	M24×1.5	M8×30	18.66×3.53	1.40	400
AFM602	3/4	20S	23.8	23.8	51	73	24	73	11	M30×2	M10×35	25×3.53	0.8	400
AFM603	1	25S	27.8	27.8	57	79	27	82	13	M36×2	M12×45	32.92×3.53	1	400
AFM604	1 1/4	30S	31.8	31.8	67	93	27	92	15	M42×2	M14×50	37.70×3.53	1.6	400
AFM605	1 1/2	38S	36.5	36.5	79	112	30	96	17	M52×2	M16×55	47.22×3.53	2	315

SAE Flange 90° with 24° Cone End



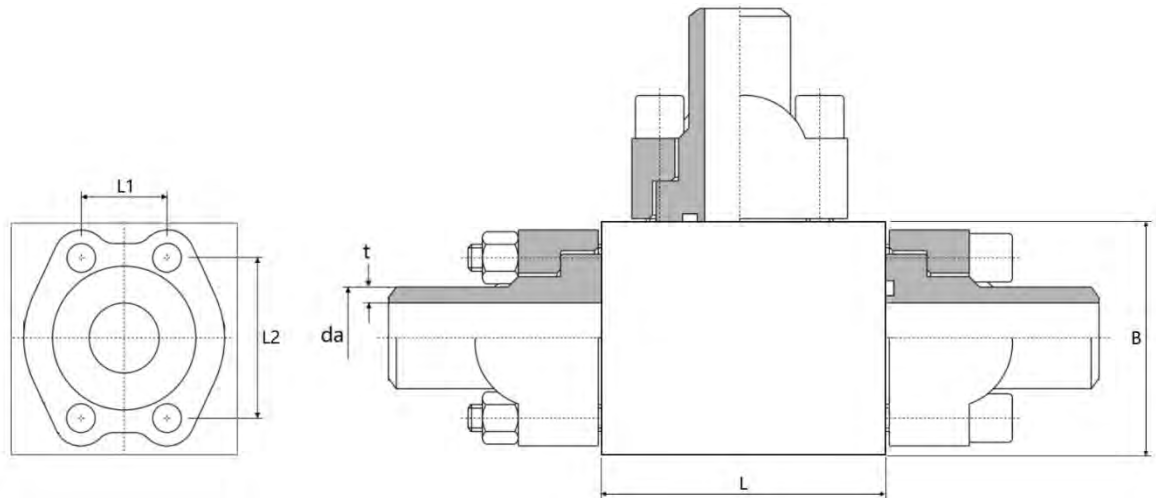
3000PSI

Type	Size Inch	Dimensions(mm)										Accessories		Weight Kg	Pressure Bar
		Tube	L1	L2	L3	L4	H	D	S1	S2	M	Bolt	O-Ring		
AFMW301	1/2	15L	38.1	54	17.5	6	16	9	20	37	M22×1.5	M8×25	18.66×3.53	0.4	345
AFMW302	3/4	22L	47.63	65	22.26	63	18	11	24	38	M30×2	M10×30	25×3.53	0.6	250
AFMW303	1	28L	52.37	70	26.16	70	19	11	28	43	M36×2	M10×30	32.92×3.53	0.8	250
AFMW304	1 1/4	35L	58.72	79	30.18	85	21	11.5	34	52	M45×2	M10×40	37.70×3.53	1.2	250
AFMW305	1 1/2	42L	69.85	94	35.72	96	26	13.5	38	55	M52×2	M12×45	47.22×3.53	1.65	200

6000PSI

Type	Size Inch	Dimensions(mm)										Accessories		Weight Kg	Pressure Bar
		Tube	L1	L2	L3	L4	H	D	S1	S2	M	Bolt	O-Ring		
AFMW601	1/2	16S	40.49	54	18.24	60	16	9	20	37	M24×1.5	M8×30	18.66×3.53	1.4	400
AFMW602	3/4	20S	50.8	73	23.8	70	19	11	28	43	M30×2	M10×35	25×3.53	0.8	400
AFMW603	1	25S	57.17	79	27.78	85	21	13	34	51	M36×2	M12×45	32.92×3.53	1	400
AFMW604	1 1/4	30S	66.68	93	31.76	95	25	15	38	56	M42×2	M14×50	37.70×3.53	1.6	400
AFMW605	1 1/2	38S	79.38	112	36.52	110	25	17	42	65	M52×2	M16×55	47.22×3.53	2	315

SAE Tee Flanges



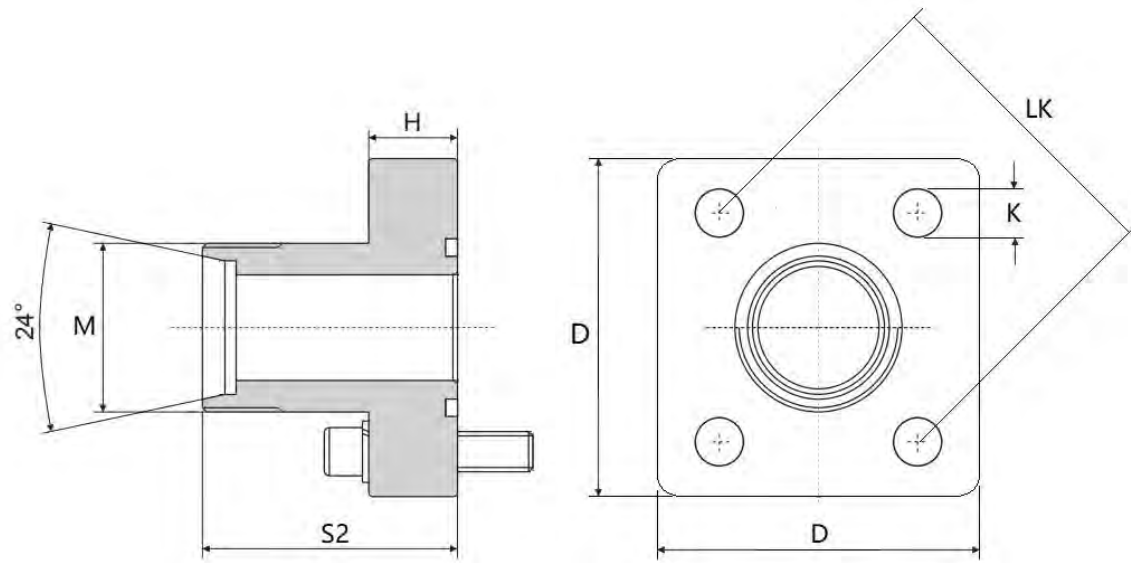
3000PSI

Type	Size Inch	Dimensions(mm)					Weight Kg	Pressure Bar
		Da x t	B	L1	L2	L		
SFV301	1/2	301	60	17.5	38.10	70	1.8	345
SFV302	3/4	302	70	22.26	47.63	80	2.60	346
SFV303	1	303	80	26.16	52.37	90	3.80	347
SFV304	1 1/4	304	90	30.18	58.72	100	5.30	276
SFV305	1 1/2	305	100	35.722	69.85	110	6.80	207
SFV306	2	306	110	42.886	77.77	120	8.3	207

6000PSI

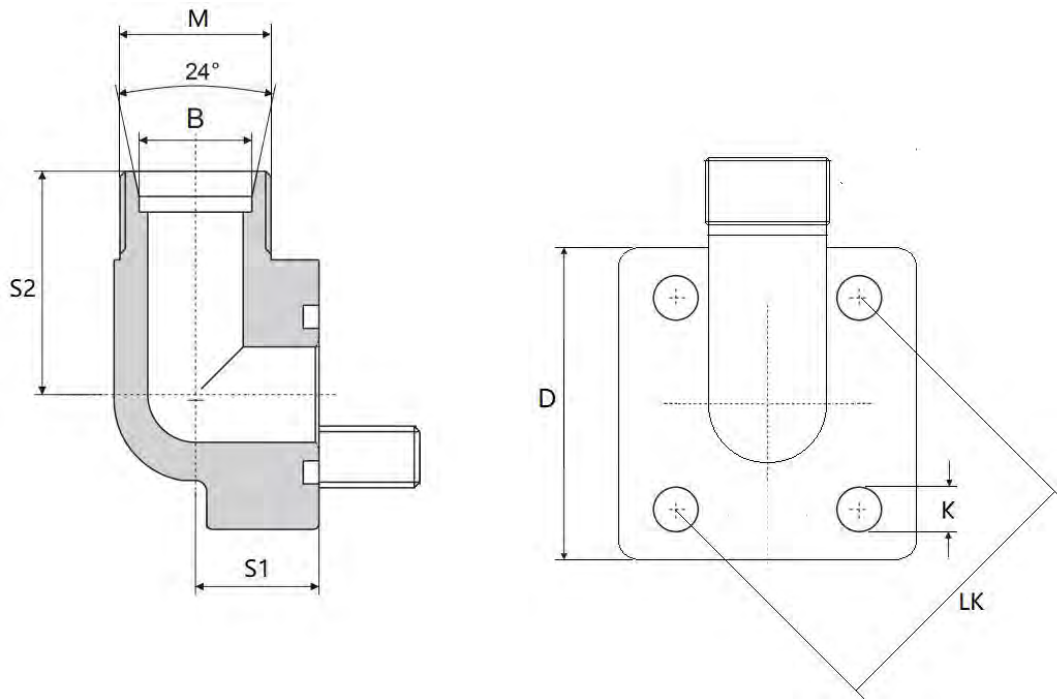
Type	Size Inch	Dimensions(mm)					Weight Kg	Pressure Bar
		da x t	B	L1	L2	L		
SFV601	1/2	601	60	18.24	40.49	70	1.8	414
SFV602	3/4	602	80	23.8	47.63	90	3.20	414
SFV603	1	603	90	27.78	57.17	100	5.50	414
SFV604	1 1/4	604	100	31.76	66.68	110	7.20	414
SFV605	1 1/2	605	120	36.52	79.38	120	11.5	414
SFV606	2	606	140	44.46	96.82	140	17.3	414

Pump Flange Connection



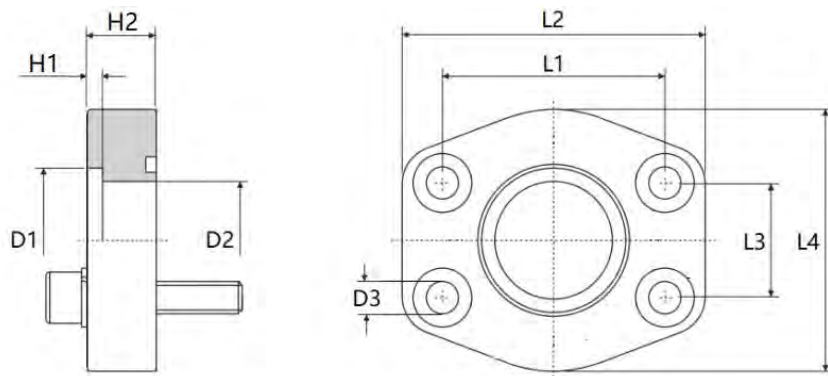
Joint no.	Tube specification	Dimensions(mm)						Accessories		Pressure Bar
		D	H	K	LK	S2	M	Bolt	O-Ring	
GF-35LK-10	L10	36	8	6.5	30	30	M16×1.5	4×M6×22	20×2.5	315
GF-35LK-12	L12	36	8	6.5	30	30	M18×1.5	4×M6×22	20×2.5	315
GF-35LK-10	L10	39	8	6.5	35	30	M16×1.5	4×M6×22	20×2.5	315
GF-35LK-12	L12	39	8	6.5	35	30	M18×1.5	4×M6×22	20×2.5	315
GF-40LK-15	L15	39	8	6.5	35	30	M22×1.5	4×M6×22	20×2.5	250
GF-40LK-18	L18	39	8	6.5	35	30	M26×1.5	4×M6×22	26×2.5	250
GF-40LK-15	L15	42	8	6.5	40	35	M22×1.5	4×M6×22	26×2.5	100
GF-40LK-18	L18	42	8	6.5	40	35	M26×1.5	4×M6×22	26×2.5	100
GF-40LK-22	L22	42	8	6.5	40	35	M30×2	4×M6×22	26×2.5	100
GF-35LK-28	L28	42	8	6.5	40	42	M36×2	4×M6×22	20×2.5	100
GF-35LK-16	S16	39	8	6.5	35	30	M24×1.5	4×M6×22	20×2.5	315
GF-40LK-20	S20	55	8	8.5	55	42	M30×2	4×M8×25	32×2.5	250

90° Pump Flange Connection

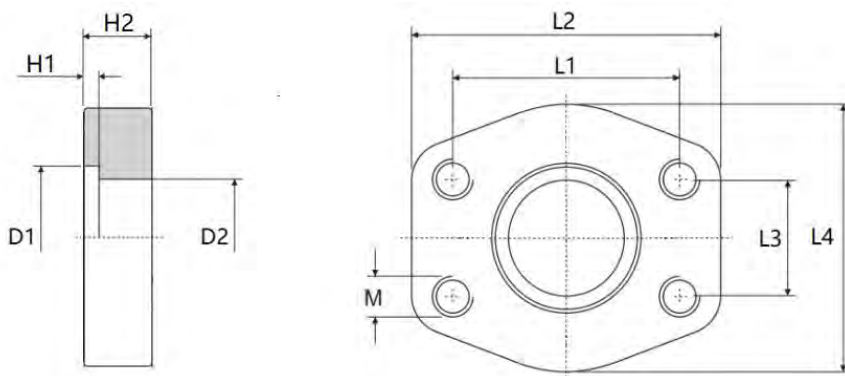


Joint no.	Tube specification	Dimensions(mm)						Accessories		Pressure Bar
		D	K	LK	S1	S2	M	Bolt	O-Ring	
WF-35LK-L10	L10	39	6.5	35	16.5	38	M16×1.5	M6×22 M6×35	20×2.5	315
WF-35LK-L12	L12	39	6.5	35	16.5	38	M18×1.5	M6×22 M6×35	20×2.5	315
WF-35LK-L15	L15	39	6.5	35	16.5	38	M22×1.5	M6×22 M6×35	20×2.5	315
WF-35LK-L18	L18	39	6.5	35	20.5	38	M26×1.5	M6×22 M6×35	20×2.5	315
WF-40LK-L15	L15	42	6.5	40	22.5	38	M22×1.5	M6×22 M6×35	26×2.5	250
WF-40LK-L18	L18	42	6.5	40	22.5	38	M26×1.5	M6×22	26×2.5	250
WF-40LK-L22	L22	42	6.5	40	22.5	38	M30×2	M6×22	26×2.5	100
WF-40LK-L28	L28	42	6.5	40	28	40	M36×2	M6×22 M6×50	26×2.5	100
WF-40LK-L35	L35	42	6.5	40	34	41	M45×2	M6×22 M6×60	26×2.5	100
WF-35LK-L16	L16	39	6.5	35	20	38	M24×1.5	M6×22 M6×40	20×2.5	100
WF-35LK-S20	S20	39	6.5	35	25	45	M30×2	M6×22 M6×45	20×2.5	315
WF-40LK-S20	S20	42	6.5	40	22.5	40	M30×2	M6×22 M6×45	26×2.5	250

Socket Weld Flange 500 PSI



Type	Size Inch	Dimensions(mm)										Accessories		Weight Kg
		Tube	D1	D2	D3	L1	L2	L3	L4	H1	H2	Bolt	O-Ring	
AFC301S	1/2	22×2	22.5	15	9	38.1	56	17.5	46	3	10	M8×25	18.66×3.53	0.12
AFC302S	3/4	28×2	28.5	20	11	47.6	65	22.3	50	4	12	M10×30	25.00×3.53	0.2
AFC303S	1	35×2	35.5	29	11	52.4	70	26.2	55	4	12	M10×30	32.92×3.53	0.25
AFC304S	1 1/4	42×2	42.5	34	11.5	58.7	79	30.2	68	4	12	M10×30	37.70×3.53	0.31
AFC305S	1 1/2	48.3×4	49	42	13.5	69.9	93	35.7	78	4	15	M12×35	47.22×3.53	0.5
AFC306S	2	60.3×4	61	53	13.5	77.8	102	42.9	90	4	15	M12×35	56.75×3.53	0.59
AFC307S	2 1/2	76.1×3.6	77	64	13.5	88.9	114	50.8	105	4	15	M12×35	69.45×3.53	0.72
AFC308S	3	88.9×4	90	80	17	106	134	61.9	124	5	20	M16×40	85.32×3.53	1.25
AFC309S	3 1/2	101.6×4.5	103	93	17	121	152	69.8	136	5	20	M16×40	98.02×3.53	1.5
AFC310S	4	114.3×4.5	115.5	105	17	130	162	77.8	146	6	25	M16×45	110.72×3.53	2.15
AFC311S	5	139.7×5	141	126	17	152	190	92.1	170	8	28	M16×45	136.12×3.53	3



Type	Size Inch	Dimensions(mm)										Weight Kg
		Rohr	D1	D2	L1	L2	L3	L4	H1	H2	M	
GFC301S	1/2	22×2	22.5	15	38.1	56	17.5	46	3	10	M8	0.12
GFC302S	3/4	28×2	28.5	20	47.63	65	22.26	50	4	12	M10	0.2
GFC303S	1	35×2	35.5	29	52.37	70	26.16	55	4	12	M10	0.25
GFC304S	1 1/4	42×2	42.5	34	58.72	79	30.18	68	4	12	M10	0.31
GFC305S	1 1/2	48.3×4	49	42	69.85	93	35.72	78	4	15	M12	0.5
GFC306S	2	60.3×4	61	53	77.77	102	42.88	90	4	15	M12	0.59
GFC307S	2 1/2	76.1×3.6	77	64	88.9	114	50.8	105	4	15	M12	0.72
GFC308S	3	88.9×4	90	80	106.38	134	61.92	124	5	20	M16	1.25
GFC309S	3 1/2	101.6×4.5	103	93	120.65	152	69.84	136	5	20	M16	1.5
GFC310S	4	114.3×4.5	115.5	105	130.18	162	77.76	146	6	25	M16	2.15
GFC311S	5	139.7×5	141	126	152.4	190	92.08	170	8	28	M16	3

Nantong ROKE Fluid Equipment Co.,LTD

ROKE Factory

Pingchao Town, Tongzhou Area
Nantong City, Jiangsu Province,China
Tel :86-513-86751377
Fax:86-513-86752577

ROKE Office

Room 1108 .Building B. Jianghaicaifudasha
No.817.Jianghai Avenue.Gangzha Area
Nantong City, Jiangsu Province,China
Tel: 86-513-85400443
Fax:86-513-85400444
Web:www.chinaroke.com
E-mail:sales01@ntroke.com

ROKE
Valves and Fittings

www.chinaroke.com